

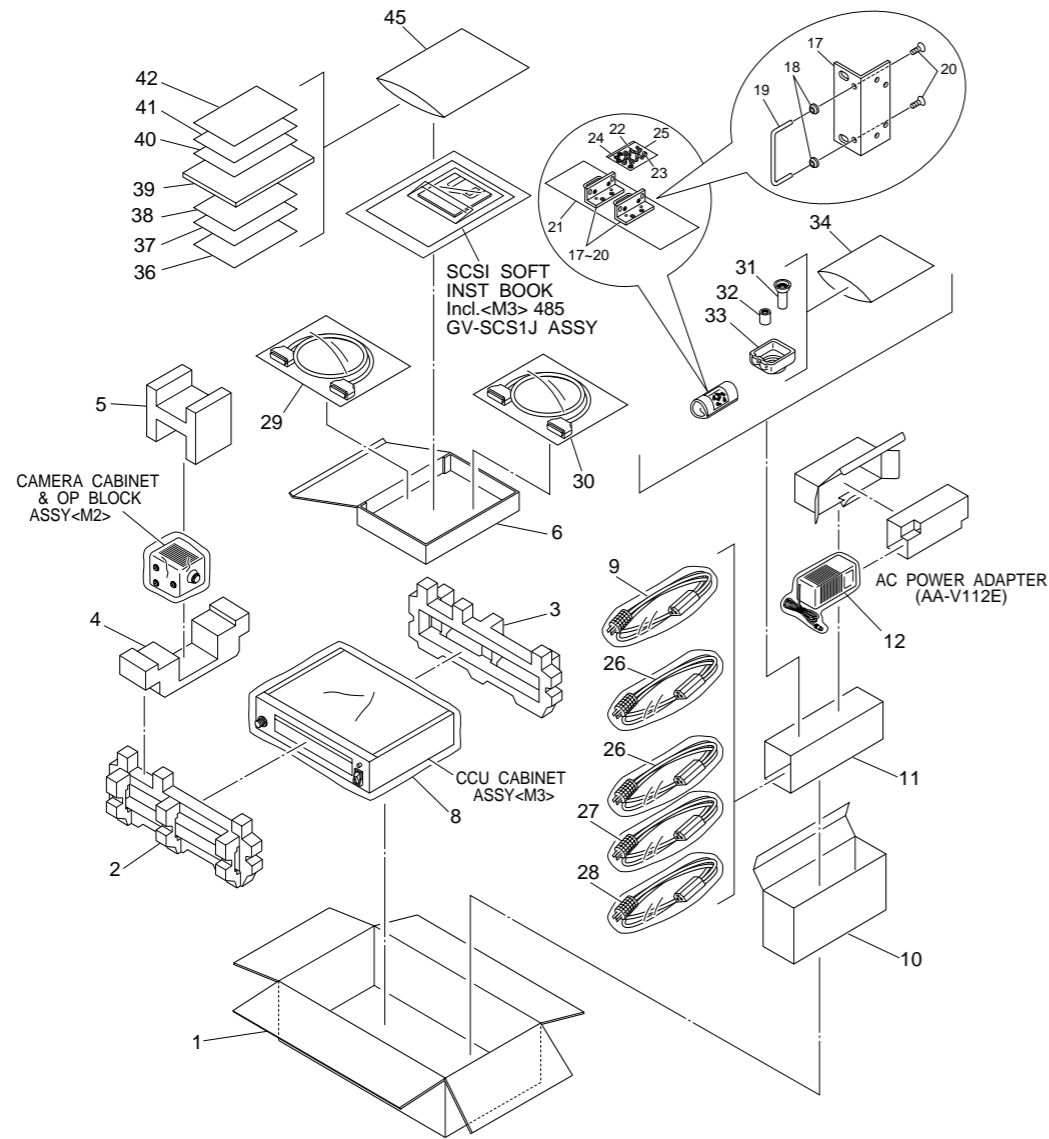
## SECTION 5 PARTS LIST

### SAFETY PRECAUTION

Parts identified by the  $\triangle$  symbol are critical for safety. Replace only with specified part numbers.

#### 5.1 PACKING AND ACCESSORY ASSEMBLY <M1>

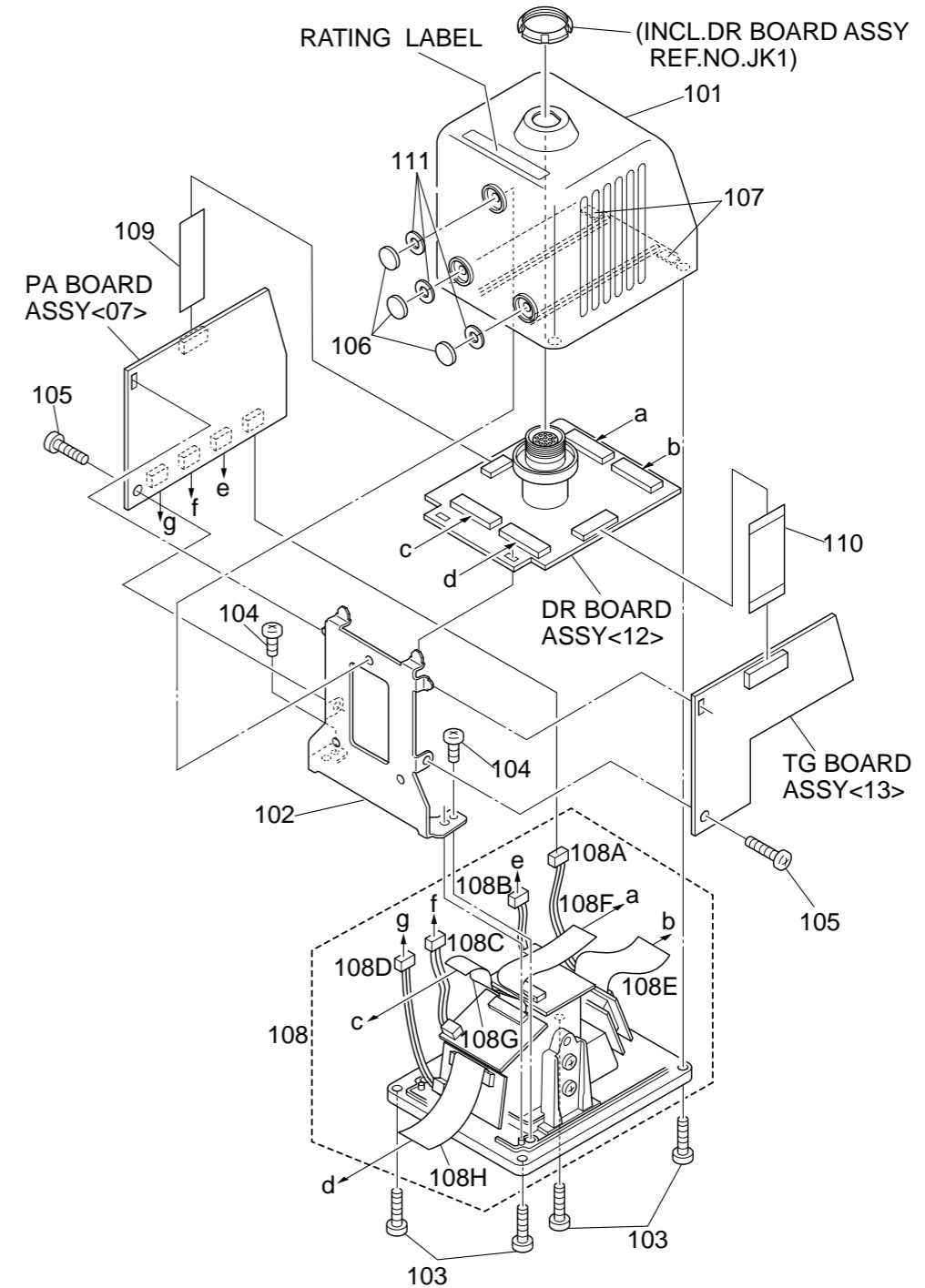
The instruction manual to be provided with this product will differ according to the destination.



| # $\triangle$ REF No.                            | PART No.     | PART NAME, DESCRIPTION |
|--|--------------|------------------------|
| *****  |              |                        |
| <b>PACKING AND ACCESSORY ASSEMBLY &lt;M1&gt;</b> |              |                        |
| 1  | LY30866-003A | PACKING CASE           |
| 2  | LY30517-001A | CUSHION(F)             |
| 3  | LY30527-001A | CUSHION(R)             |
| 4  | LY30528-001A | CUSHION(1)             |
| 5  | LY30529-001A | CUSHION(2)             |
| 6  | LY30518-001A | ACC CASE               |
| 7  | LY30023-004A | POLY BAG               |
| 8  | QPA06506007  | POLY BAG               |
| $\triangle$ 9                                    | LY41041-001D | AC-INLET CABLE         |
| 10   | LY30867-001A | ACC.CASE               |
| 11   | LY30946-001A | ACC CASE               |
| $\triangle$ 12                                   | LY42095-001A | AC ADAPTER(AA-V112E)   |
| 16   | QPC02503515P | POLY BAG               |
| 17   | SC44657-002  | SIDE BKT,X2            |
| 18   | LY40479-001A | WASHER,X4              |
| 19   | LY40478-001A | HANDLE,X2              |
| 20   | QYSSSP4010N  | SCREW,X4               |
| 21   | QPH01204210  | SHEET                  |

| # $\triangle$ REF No. | PART No.     | PART NAME, DESCRIPTION |
|-----------------------|--------------|------------------------|
| 22                    | QYSDSP3010N  | SCREW,X4               |
| 23                    | QYSSSP3006N  | SCREW,X4               |
| 24                    | Q03093-115   | SPACER,X4              |
| 25                    | QPB00500704  | POLY BAG               |
| $\triangle$ 26        | LY42094-001A | POWER CABLE,X2         |
| $\triangle$ 27        | LY42094-002A | POWER CABLE            |
| $\triangle$ 28        | LY42094-003A | POWER CABLE            |
| 29                    | QMA0279-001  | SCSI CABLE             |
| 30                    | QMA0278-001  | DISPCLAY CABLE         |
| $\triangle$ 31        | LY41008-002A | CAM.COVER(1)           |
| $\triangle$ 32        | LY41009-002A | CAM.COVER(2)           |
| $\triangle$ 33        | LY30849-002A | FRONT COVER            |
| 34                    | QPA01202505  | POLY BAG               |
| $\triangle$ 36        | LYT0468-001B | INST BOOK(EN)          |
| $\triangle$ 37        | LYT0468-002B | INST BOOK(EN),AA-V112E |
| $\triangle$ 38        | LYT0468-003A | INST BOOK(GE)          |
| $\triangle$ 39        | LYT0468-005A | INST BOOK(EG),AA-V112E |
| $\triangle$ 40        | LYT0468-005A | SHEET(CONNECT.)        |
| $\triangle$ 41        | LYT0468-006A | SHEET(OPE.)            |
| 45                    | QPC02503515P | POLY BAG               |

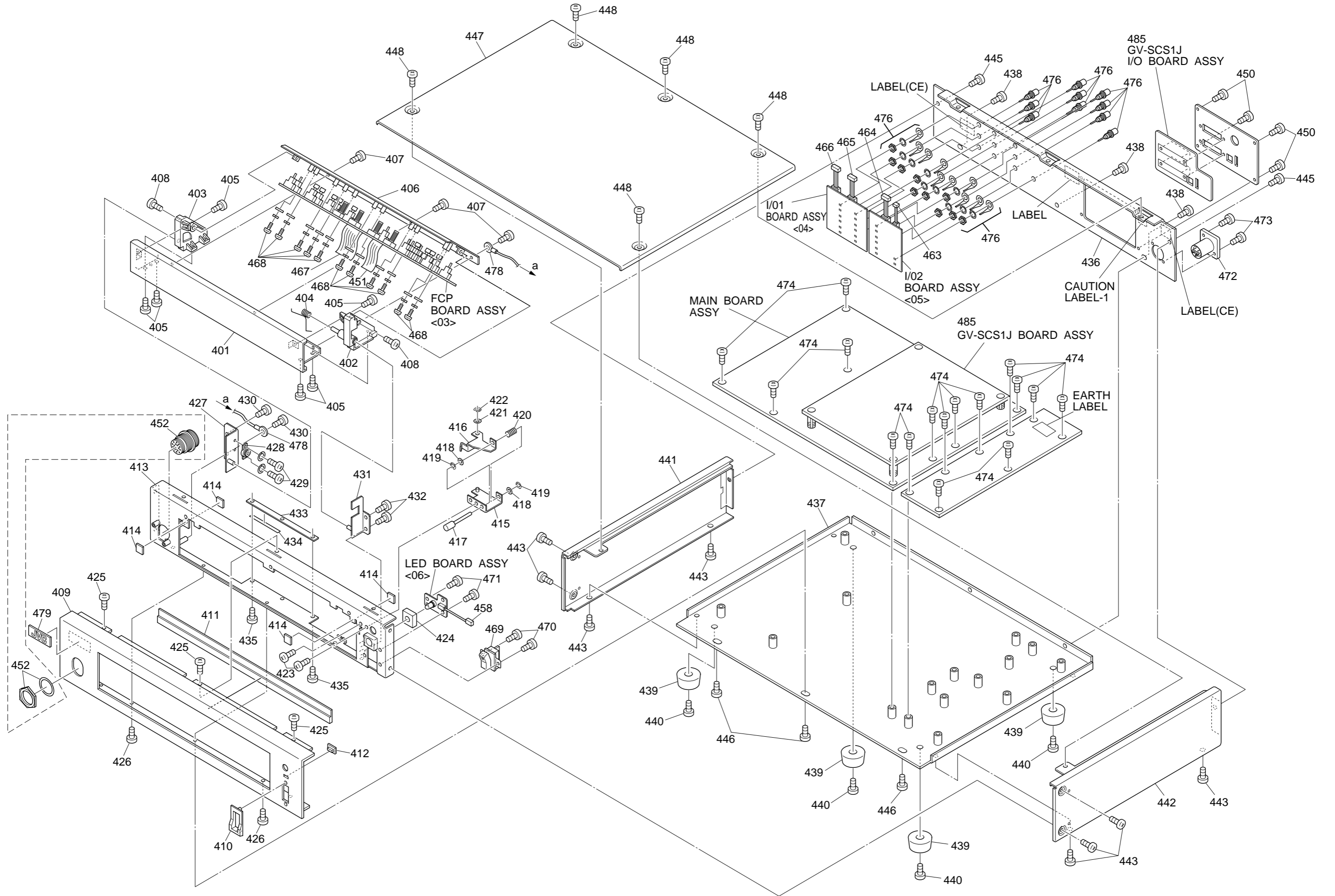
#### 5.2 CAMERA CABI. AND OP BLOCK ASSEMBLY <M2>

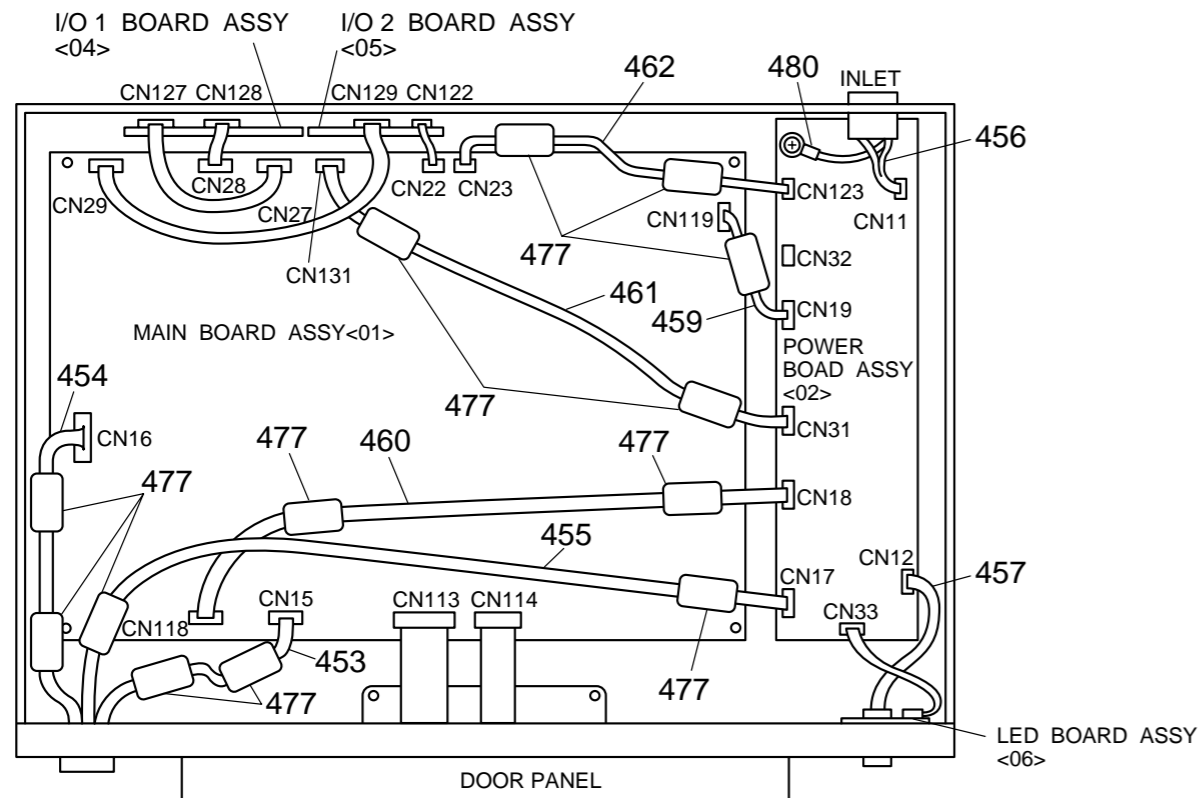


| # $\triangle$ REF No.                                | PART No.     | PART NAME, DESCRIPTION |
|--|--------------|------------------------|
| *****  |              |                        |
| <b>CAMERA CABI. AND OP BLOCK ASSEMBLY &lt;M2&gt;</b> |              |                        |
| $\triangle$ 101                                      | LY10089-004A | OP COVER               |
| 102  | LY30501-001A | FRAME BKT              |
| 103  | QYSPSF2008N  | SCREW,X4               |
| 104  | QYSPSP2003Z  | SCREW,X2               |
| 105  | QYSPSP2004Z  | SCREW,X2               |
| 106  | LY41046-001A | SPACER,X3              |
| 107  | LY30016-075A | SPACER-A,X2            |

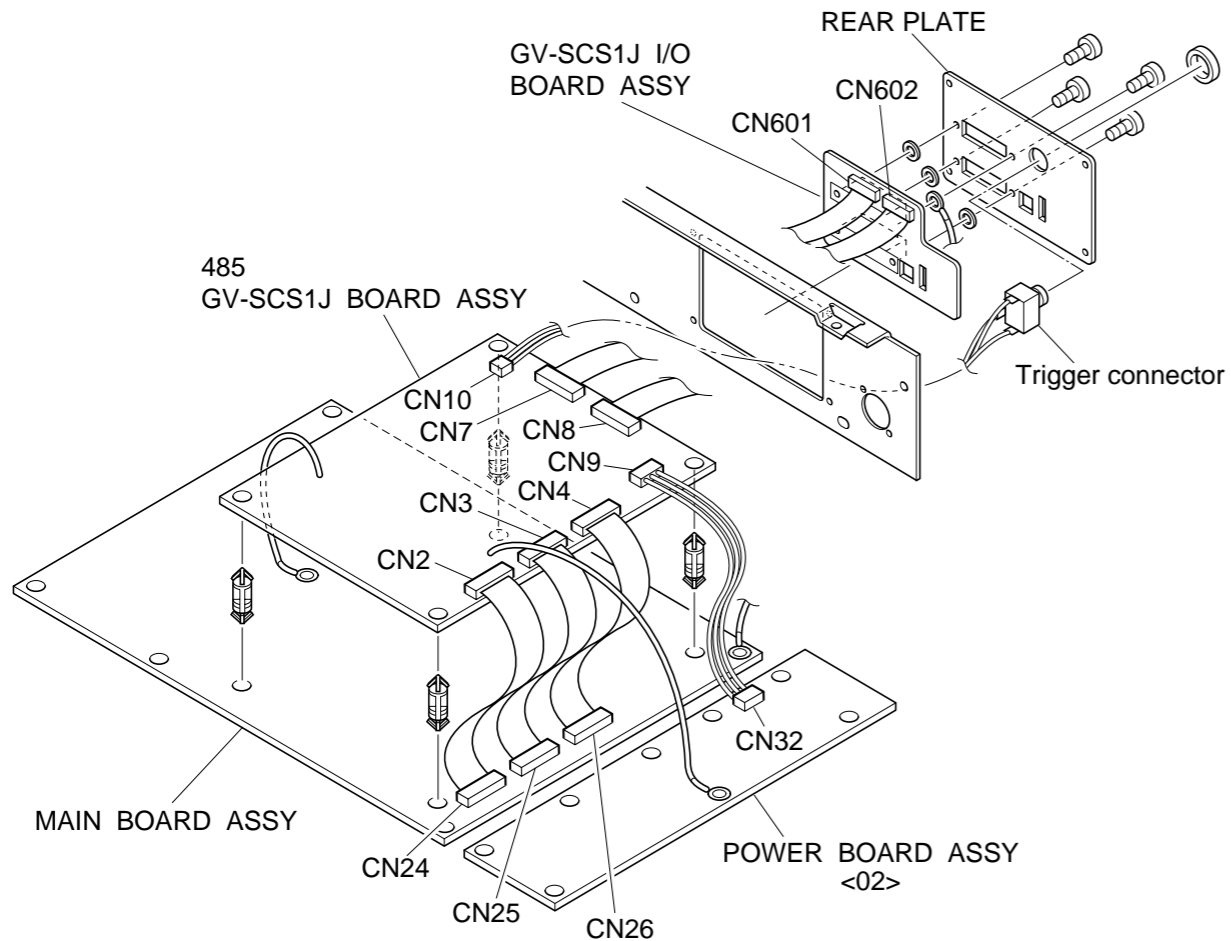
| # $\triangle$ REF No. | PART No.      | PART NAME, DESCRIPTION            |
|-----------------------|---------------|-----------------------------------|
| 108                   | -             | OP BLOCK ASSY                     |
| 108A                  | WJN0001-001A  | E-SH C WIRE C-C,ISB CN1-PA CN101  |
| 108B                  | WJN0002-001A  | E-SH C WIRE C-C,ISG1 CN2-PA CN102 |
| 108C                  | WJN0003-001A  | E-SH C WIRE C-C,ISG2 CN3-PA CN103 |
| 108D                  | WJN0004-001A  | E-SH C WIRE C-C,ISSR CN4-PA CN104 |
| 108E                  | QUQ310-1207CC | FFC WIRE,ISB CN5-DR CN105         |
| 108F                  | QUQ310-1207CC | FFC WIRE,ISG1 CN6-DR CN106        |
| 108G                  | QUQ310-1207CC | FFC WIRE,ISG1 CN7-DR CN107        |
| 108H                  | QUQ310-1207CC | FFC WIRE,ISR2 CN8-DR CN108        |
| 109                   | QUQ105-1404AA | FFC WIRE,PA CN9-DR CN109          |
| 110                   | QUQ105-2804AA | FFC WIRE,DR CN110-TG CN110        |
| 111                   | QYWSE286505N  | WASHER,X3                         |

5.3 CAMERA CONTROL UNIT ASSEMBLY <M3>





< CAMERA CONTROL UNIT CONNECTION >



< SCSIJ BOARD CONNECTION >

# △ REF No. PART No. PART NAME, DESCRIPTION  
 \*\*\*\*\*

**CAMERA CONTROL UNIT ASSEMBLY <M3>**

| # △ REF No. | PART No.      | PART NAME, DESCRIPTION                  |
|-------------|---------------|---|
| 401         | LY20164-001B  | DOOR PANEL                              |
| 402         | SC31519-00A   | HOLDER(R)                               |
| 403         | SC31520-00A   | HOLDER(L)                               |
| 404         | LY40474-001B  | TORSION SPRING                          |
| 405         | QYSBSF3006Z   | SCREW,X6                                |
| 406         | LY20158-002B  | SW PANEL                                |
| 407         | QYSSSP3006N   | SCREW,X3                                |
| 408         | QYSDST3006M   | SCREW,X2                                |
| 409         | LY20159-004B  | FRONT PANEL                             |
| 410         | SC42025-003   | SWITCH GUIDE                            |
| 411         | LY30502-001B  | WINDOW SCREEN                           |
| 412         | SS44054       | LED LENS                                |
| 413         | LY20168-001B  | PANEL BASE                              |
| 414         | LY30016-067A  | SPACER-A,X4                             |
| 415         | LY40485-001A  | LOCK BASE                               |
| 416         | LY40486-001A  | LOCK LEVER                              |
| 417         | LY40475-001A  | KNOB SHAFT                              |
| 418         | Q03093-826    | WASHER,X2                               |
| 419         | REE2000       | "E"RING,X2                              |
| 420         | LY30002-010A  | COMPRES. SPRING                         |
| 421         | Q03093-817    | WASHER                                  |
| 422         | REE3000       | E.RING                                  |
| 423         | QYSBST3006Z   | SCREW,X2                                |
| 424         | LY40654-001A  | SPACER                                  |
| 425         | QYSDST3008Z   | SCREW,X3                                |
| 426         | QYSSSP3006N   | SCREW,X2                                |
| 427         | LY40483-001A  | DAMPER BKT                              |
| 428         | PU60734       | OIL DAMPER                              |
| 429         | QYSPSPL2006Z  | SCREW,X2                                |
| 430         | QYSBST3006Z   | SCREW,X2                                |
| 431         | LY40484-001A  | SHAFT BKT                               |
| 432         | QYSBST3006Z   | SCREW,X2                                |
| 433         | LY40482-001A  | GUIDE PLATE                             |
| 434         | LY30016-066B  | SPACER-A,X2                             |
| 435         | QYSSSP3006N   | SCREW,X2                                |
| 436         | LY20160-001C  | REAR PANEL                              |
| 437         | LY10090-001A  | CHASSIS BASE                            |
| 438         | QYSBST3006M   | SCREW,X3                                |
| 439         | E47227-006    | FOOT,X4                                 |
| 440         | QYSPSPL4008Z  | SCREW,X4                                |
| 441         | LY20166-001B  | SIDE CHASSIS(L)                         |
| 442         | LY20166-002B  | SIDE CHASSIS(R)                         |
| 443         | QYSDST3008N   | SCREW,X8                                |
| 445         | QYSBST3006M   | SCREW,X2                                |
| 446         | QYSDST3008N   | SCREW,X3                                |
| 447         | LY20167-001A  | TOP COVER                               |
| 448         | QYSDST3008N   | SCREW,X5                                |
| 450         | QYSBST3006M   | SCREW,X4                                |
| 451         | QUQ310-1210CC | FFC WIRE,MAIN CN114 - FCP CN14          |
| 452         | QNZ0098-001   | D CONNECTOR                             |
| 453         | WJM0001-001A  | E-SI C WIRE C-F,CAM CONN - MAIN CN15    |
| 454         | WJR0001-001A  | E-SH C WIRE C-F,CAM CONN - MAIN CN16    |
| 455         | WJM0004-001A  | E-SI C WIRE C-F,CAM CONN - POWER CN17   |
| 456         | WJM0006-001A  | E-SI C WIRE C-F,DC INPUT - POWER CN11   |
| 457         | WJM0005-001A  | E-SI C WIRE C-F,POWER SW - POWER CN12   |
| 458         | WJJ0007-001A  | E-SI C WIRE C-C,LED CN133 - POWER CN33  |
| 459         | WJJ0005-001A  | E-SI C WIRE C-C,MAIN CN119 - POWER CN19 |
| 460         | WJJ0004-001A  | E-SI C WIRE C-C,MAIN CN118 - POWER CN18 |

| # △ REF No. | PART No.      | PART NAME, DESCRIPTION                    |
|-------------|---------------|---|
| 461         | WJJ0006-001A  | E-SI C WIRE C-C,MAIN CN131 - POWER CN31   |
| 462         | WJJ0001-001B  | E-SI C WIRE C-C,MAIN CN23 - POWER CN123   |
| 463         | WJN0008-001A  | E-SH C WIRE C-C,MAIN CN22 - I/O2 CN122    |
| 464         | WJN0007-001A  | E-SH C WIRE C-C,MAIN CN29 - I/O2 CN129    |
| 465         | WJN0006-001A  | E-SH C WIRE C-C,MAIN CN28 - I/O CN128     |
| 466         | WJN0005-001A  | E-SH C WIRE C-C,MAIN CN27 - I/O1 CN127    |
| 467         | QUQ310-2010CC | FFC WIRE,MAIN CN113 - FCP CN13            |
| 468         | QYSPSPD3006Z  | SCREW,X11                                 |
| 469         | QSW0628-001   | SEESAW SWITCH                             |
| 470         | QYSBST3006Z   | SCREW,X2                                  |
| 471         | QYSDST2605Z   | SCREW,X2                                  |
| 472         | QNZ0133-001   | D CONNECTOR                               |
| 473         | QYSPSP2608N   | SCREW,X2                                  |
| 474         | QYSPSPD3006Z  | SCREW,X16                                 |
| 476         | QNZ0044-001   | BNC CONNECTOR,X10                         |
| 477         | PELN1216-08   | NOISE FILTER,X13                          |
| 478         | WJZ0008-001A  | E-HARNESS ASSY                            |
| 479         | -             | JVC MARK                                  |
| 480         | QUB030-07A4HM | SIN TWIST WIRE,AC INLET - POWER PWB SCREW |
| 485         | LY42220-001A  | GV-SCSIJ ASSY                             |

<Include>

- GV-SCSIJ ASSY (with trigger connector)
- GV-SCSIJ I/O ASSY
- GV-SCSIJ REAR PLATE
- FLAT WIRE X5
- Driver software (FDD)
- Instruction book

5.4 ELECTRICAL PARTS LIST

| #                                     | △ REF No. | PART No.        | PART NAME, DESCRIPTION |
|---------------------------------------|-----------|-----------------|------------------------|
| *****                                 |           |                 |                        |
| <b>MAIN BOARD ASSEMBLY &lt;01&gt;</b> |           |                 |                        |
|                                       | PW        | YB10203C        | MAIN BOARD ASSY        |
| △                                     | IC1101    | AD8011AR        | IC                     |
|                                       | IC1102    | CXA1521M        | IC                     |
|                                       | IC1103    | NJM1496M        | IC                     |
|                                       | IC1104    | NJM062M         | IC                     |
|                                       | IC1105    | TC74HC4053AFT   | IC(DIGITAL)            |
|                                       | IC1106    | NJM062M         | IC                     |
|                                       | IC1108    | NJM062M         | IC                     |
|                                       | IC1109    | NJM3404AM       | IC                     |
|                                       | IC1110    | SPT7855SCT      | IC                     |
| △                                     | IC1201    | AD8011AR        | IC                     |
|                                       | IC1202    | CXA1521M        | IC                     |
|                                       | IC1203    | NJM1496M        | IC                     |
|                                       | IC1204    | NJM062M         | IC                     |
|                                       | IC1205    | TC74HC4053AFT   | IC(DIGITAL)            |
|                                       | IC1206    | NJM062M         | IC                     |
|                                       | IC1208    | NJM062M         | IC                     |
|                                       | IC1209    | NJM3404AM       | IC                     |
|                                       | IC1210    | SPT7855SCT      | IC                     |
|                                       | IC1301    | AD8011AR        | IC                     |
|                                       | IC1302    | CXA1521M        | IC                     |
|                                       | IC1303    | NJM1496M        | IC                     |
|                                       | IC1304    | NJM062M         | IC                     |
|                                       | IC1305    | TC74HC4053AFT   | IC(DIGITAL)            |
|                                       | IC1306    | NJM062M         | IC                     |
|                                       | IC1308    | NJM062M         | IC                     |
|                                       | IC1309    | NJM3404AM       | IC                     |
|                                       | IC1310    | SPT7855SCT      | IC                     |
|                                       | IC1401    | AD8011AR        | IC                     |
|                                       | IC1402    | CXA1521M        | IC                     |
|                                       | IC1403    | NJM1496M        | IC                     |
|                                       | IC1404    | NJM062M         | IC                     |
|                                       | IC1405    | TC74HC4053AFT   | IC(DIGITAL)            |
|                                       | IC1406    | NJM062M         | IC                     |
|                                       | IC1408    | NJM062M         | IC                     |
|                                       | IC1409    | NJM3404AM       | IC                     |
|                                       | IC1410    | SPT7855SCT      | IC                     |
|                                       | IC1501    | TC74VHCT541AFTX | IC(DIGITAL)            |
|                                       | IC1508    | TC74ACT04FT     | IC(DIGITAL)            |
|                                       | IC1509    | TC74VHC221AFT   | IC(DIGITAL)            |
|                                       | IC1510    | TC7SH00FU       | IC(DIGITAL)            |
|                                       | IC1511    | TC74VHC221AFT   | IC(DIGITAL)            |
|                                       | IC1512    | NJM062M         | IC                     |
|                                       | IC1513    | NJM062M         | IC                     |
|                                       | IC1514    | NJM062M         | IC                     |
|                                       | IC1515    | NJM062M         | IC                     |
|                                       | IC1516    | TC74VHC540FT    | IC                     |
|                                       | IC1517    | TK16110M        | IC                     |
|                                       | IC1518    | TK16110M        | IC                     |
|                                       | IC1519    | AD8011AR        | IC                     |
|                                       | IC1520    | TC74HC4053AFT   | IC(DIGITAL)            |
|                                       | IC1521    | NJU7032M        | IC                     |
|                                       | IC1522    | NJU7032M        | IC                     |
|                                       | IC1523    | TC74HC4052AFT   | IC                     |
|                                       | IC1524    | NJU7032M        | IC                     |
|                                       | IC1525    | TC74HC4066AFT   | IC(DIGITAL)            |
|                                       | IC1526    | NJM062M         | IC                     |

| # | △ REF No. | PART No. | PART NAME, DESCRIPTION          |
|---|-----------|----------|---------------------------------|
|   |           | IC1527   | NJM062M IC                      |
|   |           | IC1528   | NJM062M IC                      |
|   |           | IC1529   | TC74HC4053AFT IC(DIGITAL)       |
|   |           | IC1530   | TC74HC4053AFT IC(DIGITAL)       |
|   |           | IC1531   | NJM062M IC                      |
|   |           | IC1532   | TC74HC4053AFT IC(DIGITAL)       |
|   |           | IC1701   | JCP8006 IC(DIGITAL)             |
|   |           | IC1702   | M28F10112N1-MD3 IC(DIGITAL)     |
|   |           | IC1703   | UPD42280GU30A IC                |
|   |           | IC1704   | UPD42280GU30A IC                |
|   |           | IC1705   | UPD42280GU30A IC                |
|   |           | IC1706   | UPD42280GU30A IC                |
|   |           | IC1707   | JCP8007 IC(DIGITAL)             |
|   |           | IC1708   | UPD42280GU30A IC                |
|   |           | IC1709   | UPD42280GU30A IC                |
|   |           | IC1710   | UPD42280GU30A IC                |
|   |           | IC1711   | TC74HC4066AFT IC(DIGITAL)       |
|   |           | IC1712   | NJU7032M IC                     |
|   |           | IC1713   | TC7SH00FU IC(DIGITAL)           |
|   |           | IC1714   | TC74VHC574FT IC(DIGITAL)        |
|   |           | IC1715   | TC74VHC574FT IC(DIGITAL)        |
|   |           | IC1716   | CXD1177Q IC                     |
|   |           | IC1717   | CXD2306Q IC                     |
|   |           | IC1718   | TMC57105APCE IC                 |
|   |           | IC1719   | TMC57105APCE IC                 |
|   |           | IC1720   | TC74VHC574FT IC(DIGITAL)        |
|   |           | IC1721   | TC74VHC574FT IC(DIGITAL)        |
|   |           | IC1722   | TC74VHC574FT IC(DIGITAL)        |
|   |           | IC1723   | TC74VHC574FT IC(DIGITAL)        |
|   |           | IC1724   | TC74VHC540FT IC                 |
|   |           | IC1725   | MB90P678PFV-MD4 IC              |
|   |           | IC1726   | M7160E10020-MD1 IC(MICRO C ROM) |
|   |           | IC1727   | UPD6453GT-101-W IC              |
|   |           | IC1728   | UPD6453GT-101-W IC              |
|   |           | IC1729   | UPD6453GT-101-W IC              |
|   |           | IC1730   | UPD6453GT-101-W IC              |
|   |           | IC1731   | TC7SH00FU IC(DIGITAL)           |
|   |           | IC1732   | TC7SH00FU IC(DIGITAL)           |
|   |           | IC1734   | TC7SH00FU IC(DIGITAL)           |
|   |           | IC1735   | S-80740AN-D4-X IC               |
|   |           | IC1736   | S-3510ANFJA-W IC                |
|   |           | IC1737   | S-29130ADFJ-X IC                |
|   |           | IC1738   | MB88347PFV IC(DIGITAL)          |
|   |           | IC1739   | NJU7032M IC                     |
|   |           | IC1740   | NJU7032M IC                     |
|   |           | IC1741   | TC7SH32FU IC(DIGITAL)           |
|   |           | IC1742   | TC7SH32FU IC(DIGITAL)           |
|   |           | IC1743   | TC7SH32FU IC(DIGITAL)           |
|   |           | IC1744   | TC74VHC221AFT IC(DIGITAL)       |
|   |           | IC1745   | TC7SH08FU IC(DIGITAL)           |
|   |           | IC1746   | NJM319M IC                      |
|   |           | IC1747   | TC74VHC574FT IC(DIGITAL)        |
|   |           | IC1748   | TC74VHCT00AFT IC(DIGITAL)       |
|   | △         | IC2101   | AD8011AR IC                     |
|   | △         | IC2104   | AD8011AR IC                     |
|   | △         | IC2105   | AD8011AR IC                     |
|   | △         | IC2201   | AD8011AR IC                     |
|   | △         | IC2204   | AD8011AR IC                     |
|   | △         | IC2205   | AD8011AR IC                     |
|   | △         | IC2301   | AD8011AR IC                     |
|   | △         | IC2304   | AD8011AR IC                     |

| # | △ REF No. | PART No. | PART NAME, DESCRIPTION    |
|---|-----------|----------|---------------------------|
|   | △         | IC2305   | AD8011AR IC               |
|   | △         | IC2401   | AD8011AR IC               |
|   |           | IC2407   | TC74ACT08F IC(DIGITAL)    |
|   |           | Q1101    | 2SC3932/TS/-X TRANSISTOR  |
|   |           | Q1102    | 2SA1576A/RS/-X TRANSISTOR |
|   |           | Q1103    | 2SA1576A/RS/-X TRANSISTOR |
|   |           | Q1104    | 2SA1576A/RS/-X TRANSISTOR |
|   |           | Q1105    | 2SA1576A/RS/-X TRANSISTOR |
|   |           | Q1106    | 2SC3932/TS/-X TRANSISTOR  |
|   |           | Q1107    | XN6537 PAIR TRANSISTOR    |
|   |           | Q1108    | 2SC3932/TS/-X TRANSISTOR  |
|   |           | Q1109    | 2SC3932/TS/-X TRANSISTOR  |
|   |           | Q1110    | 2SC4081/RS/-X TRANSISTOR  |
|   |           | Q1111    | 2SC3932/TS/-X TRANSISTOR  |
|   |           | Q1112    | 2SC4081/RS/-X TRANSISTOR  |
|   |           | Q1201    | 2SC3932/TS/-X TRANSISTOR  |
|   |           | Q1202    | 2SA1576A/RS/-X TRANSISTOR |
|   |           | Q1203    | 2SA1576A/RS/-X TRANSISTOR |
|   |           | Q1204    | 2SA1576A/RS/-X TRANSISTOR |
|   |           | Q1205    | 2SA1576A/RS/-X TRANSISTOR |
|   |           | Q1206    | 2SC3932/TS/-X TRANSISTOR  |
|   |           | Q1207    | XN6537 PAIR TRANSISTOR    |
|   |           | Q1208    | 2SC3932/TS/-X TRANSISTOR  |
|   |           | Q1209    | 2SC3932/TS/-X TRANSISTOR  |
|   |           | Q1210    | 2SC4081/RS/-X TRANSISTOR  |
|   |           | Q1211    | 2SC3932/TS/-X TRANSISTOR  |
|   |           | Q1212    | 2SC4081/RS/-X TRANSISTOR  |
|   |           | Q1301    | 2SC3932/TS/-X TRANSISTOR  |
|   |           | Q1302    | 2SA1576A/RS/-X TRANSISTOR |
|   |           | Q1303    | 2SA1576A/RS/-X TRANSISTOR |
|   |           | Q1304    | 2SA1576A/RS/-X TRANSISTOR |
|   |           | Q1305    | 2SA1576A/RS/-X TRANSISTOR |
|   |           | Q1306    | 2SC3932/TS/-X TRANSISTOR  |
|   |           | Q1307    | XN6537 PAIR TRANSISTOR    |
|   |           | Q1308    | 2SC3932/TS/-X TRANSISTOR  |
|   |           | Q1309    | 2SC3932/TS/-X TRANSISTOR  |
|   |           | Q1310    | 2SC4081/RS/-X TRANSISTOR  |
|   |           | Q1311    | 2SC3932/TS/-X TRANSISTOR  |
|   |           | Q1312    | 2SC4081/RS/-X TRANSISTOR  |
|   |           | Q1401    | 2SC3932/TS/-X TRANSISTOR  |
|   |           | Q1402    | 2SA1576A/RS/-X TRANSISTOR |
|   |           | Q1403    | 2SA1576A/RS/-X TRANSISTOR |
|   |           | Q1404    | 2SA1576A/RS/-X TRANSISTOR |
|   |           | Q1405    | 2SA1576A/RS/-X TRANSISTOR |
|   |           | Q1406    | 2SC3932/TS/-X TRANSISTOR  |
|   |           | Q1407    | XN6537 PAIR TRANSISTOR    |
|   |           | Q1408    | 2SC3932/TS/-X TRANSISTOR  |
|   |           | Q1409    | 2SC3932/TS/-X TRANSISTOR  |
|   |           | Q1410    | 2SC4081/RS/-X TRANSISTOR  |
|   |           | Q1411    | 2SC3932/TS/-X TRANSISTOR  |
|   |           | Q1412    | 2SC4081/RS/-X TRANSISTOR  |
|   |           | Q1501    | 2SC4081/RS/-X TRANSISTOR  |
|   |           | Q1502    | 2SC4081/RS/-X TRANSISTOR  |
|   |           | Q1503    | 2SC4081/RS/-X TRANSISTOR  |
|   |           | Q1504    | 2SA1576A/RS/-X TRANSISTOR |
|   |           | Q1505    | 2SA1576A/RS/-X TRANSISTOR |
|   |           | Q1506    | 2SC4081/RS/-X TRANSISTOR  |
|   |           | Q1507    | 2SA1576A/RS/-X TRANSISTOR |
|   |           | Q1508    | 2SA1576A/RS/-X TRANSISTOR |
|   |           | Q1509    | 2SC4081/RS/-X TRANSISTOR  |
|   |           | Q1510    | 2SC4081/RS/-X TRANSISTOR  |

| # | △ REF No. | PART No. | PART NAME, DESCRIPTION    |
|---|-----------|----------|---------------------------|
|   |           | Q1511    | 2SA1576A/RS/-X TRANSISTOR |
|   |           | Q1701    | 2SC3932/TS/-X TRANSISTOR  |
|   |           | Q1702    | 2SC3932/TS/-X TRANSISTOR  |
|   |           | Q1703    | 2SA1748(QR) PH TRANSISTOR |
|   |           | Q1704    | 2SA1748(QR) PH TRANSISTOR |
|   |           | Q1705    | 2SA1748(QR) PH TRANSISTOR |
|   |           | Q1706    | 2SD874A(S) TRANSISTOR     |
|   |           | Q1707    | 2SD874A(S) TRANSISTOR     |
|   |           | Q1710    | 2SC3932/TS/-X TRANSISTOR  |
|   |           | Q1711    | 2SC3932/TS/-X TRANSISTOR  |
|   |           | Q1712    | 2SC3932/TS/-X TRANSISTOR  |
|   |           | Q1713    | 2SC3932/TS/-X TRANSISTOR  |
|   |           | Q1714    | 2SC3932/TS/-X TRANSISTOR  |
|   |           | Q2101    | 2SC3932/TS/-X TRANSISTOR  |
|   |           | Q2115    | 2SC3932/TS/-X TRANSISTOR  |
|   |           | Q2120    | 2SC3932/TS/-X TRANSISTOR  |
|   |           | Q2121    | 2SC3932/TS/-X TRANSISTOR  |
|   |           | Q2122    | 2SA1748(QR) PH TRANSISTOR |
|   |           | Q2201    | 2SC3932/TS/-X TRANSISTOR  |
|   |           | Q2213    | 2SC3932/TS/-X TRANSISTOR  |
|   |           | Q2220    | 2SC3932/TS/-X TRANSISTOR  |
|   |           | Q2221    | 2SC3932/TS/-X TRANSISTOR  |
|   |           | Q2222    | 2SA1748(QR) PH TRANSISTOR |
|   |           | Q2301    | 2SC3932/TS/-X TRANSISTOR  |
|   |           | Q2313    | 2SC3932/TS/-X TRANSISTOR  |
|   |           | Q2320    | 2SC3932/TS/-X TRANSISTOR  |
|   |           | Q2321    | 2SC3932/TS/-X TRANSISTOR  |
|   |           | Q2322    | 2SA1748(QR) PH TRANSISTOR |
|   |           | Q2401    | 2SC4081/RS/-X TRANSISTOR  |
|   |           | Q2402    | 2SC4081/RS/-X TRANSISTOR  |
|   |           | Q2404    | 2SC4081/RS/-X TRANSISTOR  |
|   |           | Q2405    | 2SA1576A/RS/-X TRANSISTOR |
|   |           | Q2406    | 2SC4081/RS/-X TRANSISTOR  |
|   |           | Q2407    | 2SA1576A/RS/-X TRANSISTOR |
|   |           | Q2408    | 2SA1576A/RS/-X TRANSISTOR |
|   |           | Q2409    | 2SA1576A/RS/-X TRANSISTOR |
|   |           | D1101    | DAN202U DIODE             |
|   |           | D1102    | DAP202U DIODE             |
|   |           | D1103    | DAP202U DIODE             |
|   |           | D1104    | DA204U DIODE              |
|   |           | D1201    | DAN202U DIODE             |
|   |           | D1202    | DAP202U DIODE             |
|   |           | D1203    | DAP202U DIODE             |
|   |           | D1204    | DA204U DIODE              |
|   |           | D1301    | DAN202U DIODE             |
|   |           | D1302    | DAP202U DIODE             |
|   |           | D1303    | DAP202U DIODE             |
|   |           | D1304    | DA204U DIODE              |
|   |           | D1401    | DAN202U DIODE             |
|   |           | D1402    | DAP202U DIODE             |
|   |           | D1403    | DAP202U DIODE             |
|   |           | D1404    | DA204U DIODE              |
|   |           | D1502    | DAP202U DIODE             |
|   |           | D1503    | DAP202U DIODE             |
|   |           | D1504    | DAP202U DIODE             |
|   |           | D1505    | DAP202U DIODE             |
|   |           | D1506    | DA204U DIODE              |
|   |           | D1507    | DA204U DIODE              |
|   |           | D1508    | DA204U DIODE              |
|   |           | D1509    | DA204U DIODE              |
|   |           | D1510    | DA204U DIODE              |

| # | △ REF No. | PART No. | PART NAME, DESCRIPTION | #           | △ REF No. | PART No. | PART NAME, DESCRIPTION |             |              |
|---|-----------|----------|------------------------|-------------|-----------|----------|------------------------|-------------|--------------|
|   |           | D1511    | DA204U                 | DIODE       |           | R1158    | NRSA63J-101X           | MG RESISTOR | 100Ω, 1/16W  |
|   |           | D1701    | DAP202U                | DIODE       |           | R1201    | NRSA63J-101X           | MG RESISTOR | 100Ω, 1/16W  |
|   |           | D1702    | DA204U                 | DIODE       |           | R1202    | NRSA63J-271X           | MG RESISTOR | 270Ω, 1/16W  |
|   |           | D1703    | DA204U                 | DIODE       |           | R1203    | NRSA63J-561X           | MG RESISTOR | 560Ω, 1/16W  |
|   |           | D1704    | DA204U                 | DIODE       |           | R1204    | NRSA63J-0R0X           | MG RESISTOR | 0Ω, 1/16W    |
|   |           | D1705    | DA204U                 | DIODE       |           | R1207    | NRSA63J-0R0X           | MG RESISTOR | 0Ω, 1/16W    |
| △ |           | D1706    | SB007-03Q-X            | SB DIODE    |           | R1208    | NRSA63J-0R0X           | MG RESISTOR | 0Ω, 1/16W    |
|   |           | D2104    | DA204U                 | DIODE       |           | R1209    | NRSA63J-152X           | MG RESISTOR | 1.5kΩ, 1/16W |
|   |           | D2105    | DA204U                 | DIODE       |           | R1210    | NRSA63J-221X           | MG RESISTOR | 220Ω, 1/16W  |
|   |           | D2204    | DA204U                 | DIODE       |           | R1211    | NRSA63J-333X           | MG RESISTOR | 33kΩ, 1/16W  |
|   |           | D2205    | DA204U                 | DIODE       |           | R1212    | NRSA63J-223X           | MG RESISTOR | 22kΩ, 1/16W  |
|   |           | D2304    | DA204U                 | DIODE       |           | R1213    | NRSA63J-561X           | MG RESISTOR | 560Ω, 1/16W  |
|   |           | D2305    | DA204U                 | DIODE       |           | R1214    | NRSA63J-681X           | MG RESISTOR | 680Ω, 1/16W  |
|   |           | D2401    | DA204U                 | DIODE       |           | R1215    | NRSA63J-152X           | MG RESISTOR | 1.5kΩ, 1/16W |
|   |           | D2402    | DA204U                 | DIODE       |           | R1216    | NRSA63J-561X           | MG RESISTOR | 560Ω, 1/16W  |
|   |           | D2403    | DA204U                 | DIODE       |           | R1217    | NRSA63J-561X           | MG RESISTOR | 560Ω, 1/16W  |
|   |           | R1101    | NRSA63J-101X           | MG RESISTOR |           | R1218    | NRSA63J-272X           | MG RESISTOR | 2.7kΩ, 1/16W |
|   |           | R1102    | NRSA63J-271X           | MG RESISTOR |           | R1220    | NRSA63J-152X           | MG RESISTOR | 1.5kΩ, 1/16W |
|   |           | R1103    | NRSA63J-561X           | MG RESISTOR |           | R1221    | NRSA63J-472X           | MG RESISTOR | 4.7kΩ, 1/16W |
|   |           | R1104    | NRSA63J-0R0X           | MG RESISTOR |           | R1223    | NRSA63J-332X           | MG RESISTOR | 3.3kΩ, 1/16W |
|   |           | R1107    | NRSA63J-0R0X           | MG RESISTOR |           | R1224    | NRSA63J-472X           | MG RESISTOR | 4.7kΩ, 1/16W |
|   |           | R1108    | NRSA63J-0R0X           | MG RESISTOR |           | R1225    | NRSA63J-152X           | MG RESISTOR | 1.5kΩ, 1/16W |
|   |           | R1109    | NRSA63J-152X           | MG RESISTOR |           | R1226    | NRSA63J-472X           | MG RESISTOR | 4.7kΩ, 1/16W |
|   |           | R1110    | NRSA63J-221X           | MG RESISTOR |           | R1227    | NRSA63J-103X           | MG RESISTOR | 10kΩ, 1/16W  |
|   |           | R1111    | NRSA63J-333X           | MG RESISTOR |           | R1228    | NRSA63J-0R0X           | MG RESISTOR | 0Ω, 1/16W    |
|   |           | R1112    | NRSA63J-223X           | MG RESISTOR |           | R1229    | NRSA63J-221X           | MG RESISTOR | 220Ω, 1/16W  |
|   |           | R1113    | NRSA63J-561X           | MG RESISTOR |           | R1230    | NRSA63J-681X           | MG RESISTOR | 680Ω, 1/16W  |
|   |           | R1114    | NRSA63J-681X           | MG RESISTOR |           | R1231    | NRSA63J-103X           | MG RESISTOR | 10kΩ, 1/16W  |
|   |           | R1115    | NRSA63J-152X           | MG RESISTOR |           | R1232    | NRSA63J-223X           | MG RESISTOR | 22kΩ, 1/16W  |
|   |           | R1116    | NRSA63J-561X           | MG RESISTOR |           | R1233    | NRSA63J-682X           | MG RESISTOR | 6.8kΩ, 1/16W |
|   |           | R1117    | NRSA63J-561X           | MG RESISTOR |           | R1234    | NRSA63J-472X           | MG RESISTOR | 4.7kΩ, 1/16W |
|   |           | R1118    | NRSA63J-272X           | MG RESISTOR |           | R1235    | NRSA63J-472X           | MG RESISTOR | 4.7kΩ, 1/16W |
|   |           | R1120    | NRSA63J-152X           | MG RESISTOR |           | R1236    | NRSA63J-103X           | MG RESISTOR | 10kΩ, 1/16W  |
|   |           | R1121    | NRSA63J-472X           | MG RESISTOR |           | R1237    | NRSA63J-682X           | MG RESISTOR | 6.8kΩ, 1/16W |
|   |           | R1123    | NRSA63J-332X           | MG RESISTOR |           | R1238    | NRSA63J-221X           | MG RESISTOR | 220Ω, 1/16W  |
|   |           | R1124    | NRSA63J-472X           | MG RESISTOR |           | R1239    | NRSA63J-272X           | MG RESISTOR | 2.7kΩ, 1/16W |
|   |           | R1125    | NRSA63J-152X           | MG RESISTOR |           | R1240    | NRSA63J-682X           | MG RESISTOR | 6.8kΩ, 1/16W |
|   |           | R1126    | NRSA63J-472X           | MG RESISTOR |           | R1241    | NRSA63J-472X           | MG RESISTOR | 4.7kΩ, 1/16W |
|   |           | R1127    | NRSA63J-103X           | MG RESISTOR |           | R1242    | NRSA63J-103X           | MG RESISTOR | 10kΩ, 1/16W  |
|   |           | R1128    | NRSA63J-0R0X           | MG RESISTOR |           | R1243    | NRSA63J-223X           | MG RESISTOR | 22kΩ, 1/16W  |
|   |           | R1129    | NRSA63J-221X           | MG RESISTOR |           | R1244    | NRSA63J-0R0X           | MG RESISTOR | 0Ω, 1/16W    |
|   |           | R1130    | NRSA63J-681X           | MG RESISTOR |           | R1245    | NRSA63J-391X           | MG RESISTOR | 390Ω, 1/16W  |
|   |           | R1131    | NRSA63J-103X           | MG RESISTOR |           | R1254    | NRSA63J-0R0X           | MG RESISTOR | 0Ω, 1/16W    |
|   |           | R1132    | NRSA63J-223X           | MG RESISTOR |           | R1255    | NRSA63J-0R0X           | MG RESISTOR | 0Ω, 1/16W    |
|   |           | R1133    | NRSA63J-682X           | MG RESISTOR |           | R1256    | NRSA63J-472X           | MG RESISTOR | 4.7kΩ, 1/16W |
|   |           | R1134    | NRSA63J-472X           | MG RESISTOR |           | R1257    | NRSA63J-103X           | MG RESISTOR | 10kΩ, 1/16W  |
|   |           | R1135    | NRSA63J-472X           | MG RESISTOR |           | R1258    | NRSA63J-101X           | MG RESISTOR | 100Ω, 1/16W  |
|   |           | R1136    | NRSA63J-103X           | MG RESISTOR |           | R1301    | NRSA63J-101X           | MG RESISTOR | 100Ω, 1/16W  |
|   |           | R1137    | NRSA63J-682X           | MG RESISTOR |           | R1302    | NRSA63J-271X           | MG RESISTOR | 270Ω, 1/16W  |
|   |           | R1138    | NRSA63J-221X           | MG RESISTOR |           | R1303    | NRSA63J-561X           | MG RESISTOR | 560Ω, 1/16W  |
|   |           | R1139    | NRSA63J-272X           | MG RESISTOR |           | R1304    | NRSA63J-0R0X           | MG RESISTOR | 0Ω, 1/16W    |
|   |           | R1140    | NRSA63J-682X           | MG RESISTOR |           | R1307    | NRSA63J-0R0X           | MG RESISTOR | 0Ω, 1/16W    |
|   |           | R1141    | NRSA63J-472X           | MG RESISTOR |           | R1308    | NRSA63J-0R0X           | MG RESISTOR | 0Ω, 1/16W    |
|   |           | R1142    | NRSA63J-103X           | MG RESISTOR |           | R1309    | NRSA63J-152X           | MG RESISTOR | 1.5kΩ, 1/16W |
|   |           | R1143    | NRSA63J-223X           | MG RESISTOR |           | R1310    | NRSA63J-101X           | MG RESISTOR | 100Ω, 1/16W  |
|   |           | R1144    | NRSA63J-0R0X           | MG RESISTOR |           | R1311    | NRSA63J-333X           | MG RESISTOR | 33kΩ, 1/16W  |
|   |           | R1145    | NRSA63J-391X           | MG RESISTOR |           | R1312    | NRSA63J-223X           | MG RESISTOR | 22kΩ, 1/16W  |
|   |           | R1154    | NRSA63J-0R0X           | MG RESISTOR |           | R1313    | NRSA63J-561X           | MG RESISTOR | 560Ω, 1/16W  |
|   |           | R1155    | NRSA63J-0R0X           | MG RESISTOR |           | R1314    | NRSA63J-681X           | MG RESISTOR | 680Ω, 1/16W  |
|   |           | R1156    | NRSA63J-472X           | MG RESISTOR |           | R1315    | NRSA63J-152X           | MG RESISTOR | 1.5kΩ, 1/16W |
|   |           | R1157    | NRSA63J-103X           | MG RESISTOR |           | R1316    | NRSA63J-561X           | MG RESISTOR | 560Ω, 1/16W  |

| #     | △ REF No. | PART No.     | PART NAME, DESCRIPTION  | #     | △ REF No. | PART No.     | PART NAME, DESCRIPTION   |
|-------|-----------|--------------|-------------------------|-------|-----------|--------------|--------------------------|
| R1317 |           | NRSA63J-561X | MG RESISTOR 560Ω,1/16W  | R1427 |           | NRSA63J-103X | MG RESISTOR 10kΩ,1/16W   |
| R1318 |           | NRSA63J-272X | MG RESISTOR 2.7kΩ,1/16W | R1428 |           | NRSA63J-0R0X | MG RESISTOR 0Ω,1/16W     |
| R1320 |           | NRSA63J-152X | MG RESISTOR 1.5kΩ,1/16W | R1429 |           | NRSA63J-221X | MG RESISTOR 220Ω,1/16W   |
| R1321 |           | NRSA63J-472X | MG RESISTOR 4.7kΩ,1/16W | R1430 |           | NRSA63J-681X | MG RESISTOR 680Ω,1/16W   |
| R1323 |           | NRSA63J-332X | MG RESISTOR 3.3kΩ,1/16W | R1431 |           | NRSA63J-103X | MG RESISTOR 10kΩ,1/16W   |
| R1324 |           | NRSA63J-472X | MG RESISTOR 4.7kΩ,1/16W | R1432 |           | NRSA63J-223X | MG RESISTOR 22kΩ,1/16W   |
| R1325 |           | NRSA63J-152X | MG RESISTOR 1.5kΩ,1/16W | R1433 |           | NRSA63J-682X | MG RESISTOR 6.8kΩ,1/16W  |
| R1326 |           | NRSA63J-472X | MG RESISTOR 4.7kΩ,1/16W | R1434 |           | NRSA63J-472X | MG RESISTOR 4.7kΩ,1/16W  |
| R1327 |           | NRSA63J-103X | MG RESISTOR 10kΩ,1/16W  | R1435 |           | NRSA63J-472X | MG RESISTOR 4.7kΩ,1/16W  |
| R1328 |           | NRSA63J-0R0X | MG RESISTOR 0Ω,1/16W    | R1436 |           | NRSA63J-103X | MG RESISTOR 10kΩ,1/16W   |
| R1329 |           | NRSA63J-221X | MG RESISTOR 220Ω,1/16W  | R1437 |           | NRSA63J-682X | MG RESISTOR 6.8kΩ,1/16W  |
| R1330 |           | NRSA63J-681X | MG RESISTOR 680Ω,1/16W  | R1438 |           | NRSA63J-221X | MG RESISTOR 220Ω,1/16W   |
| R1331 |           | NRSA63J-103X | MG RESISTOR 10kΩ,1/16W  | R1439 |           | NRSA63J-272X | MG RESISTOR 2.7kΩ,1/16W  |
| R1332 |           | NRSA63J-223X | MG RESISTOR 22kΩ,1/16W  | R1440 |           | NRSA63J-682X | MG RESISTOR 6.8kΩ,1/16W  |
| R1333 |           | NRSA63J-682X | MG RESISTOR 6.8kΩ,1/16W | R1441 |           | NRSA63J-472X | MG RESISTOR 4.7kΩ,1/16W  |
| R1334 |           | NRSA63J-472X | MG RESISTOR 4.7kΩ,1/16W | R1442 |           | NRSA63J-103X | MG RESISTOR 10kΩ,1/16W   |
| R1335 |           | NRSA63J-472X | MG RESISTOR 4.7kΩ,1/16W | R1443 |           | NRSA63J-223X | MG RESISTOR 22kΩ,1/16W   |
| R1336 |           | NRSA63J-103X | MG RESISTOR 10kΩ,1/16W  | R1444 |           | NRSA63J-0R0X | MG RESISTOR 0Ω,1/16W     |
| R1337 |           | NRSA63J-682X | MG RESISTOR 6.8kΩ,1/16W | R1445 |           | NRSA63J-391X | MG RESISTOR 390Ω,1/16W   |
| R1338 |           | NRSA63J-221X | MG RESISTOR 220Ω,1/16W  | R1446 |           | NRSA63J-184X | MG RESISTOR 180kΩ,1/16W  |
| R1339 |           | NRSA63J-272X | MG RESISTOR 2.7kΩ,1/16W | R1449 |           | NRSA63J-333X | MG RESISTOR 33kΩ,1/16W   |
| R1340 |           | NRSA63J-682X | MG RESISTOR 6.8kΩ,1/16W | R1450 |           | NRSA63J-223X | MG RESISTOR 22kΩ,1/16W   |
| R1341 |           | NRSA63J-472X | MG RESISTOR 4.7kΩ,1/16W | R1451 |           | NRSA63J-272X | MG RESISTOR 2.7kΩ,1/16W  |
| R1342 |           | NRSA63J-103X | MG RESISTOR 10kΩ,1/16W  | R1452 |           | NRSA63J-472X | MG RESISTOR 4.7kΩ,1/16W  |
| R1343 |           | NRSA63J-223X | MG RESISTOR 22kΩ,1/16W  | R1455 |           | NRSA63J-0R0X | MG RESISTOR 0Ω,1/16W     |
| R1344 |           | NRSA63J-0R0X | MG RESISTOR 0Ω,1/16W    | R1456 |           | NRSA63J-472X | MG RESISTOR 4.7kΩ,1/16W  |
| R1345 |           | NRSA63J-391X | MG RESISTOR 390Ω,1/16W  | R1457 |           | NRSA63J-103X | MG RESISTOR 10kΩ,1/16W   |
| R1346 |           | NRSA63J-184X | MG RESISTOR 180kΩ,1/16W | R1458 |           | NRSA63J-101X | MG RESISTOR 100Ω,1/16W   |
| R1349 |           | NRSA63J-333X | MG RESISTOR 33kΩ,1/16W  | R1501 |           | NRVA63D-183X | CMF RESISTOR 18kΩ,1/16W  |
| R1350 |           | NRSA63J-223X | MG RESISTOR 22kΩ,1/16W  | R1502 |           | NRVA63D-273X | CMF RESISTOR 27kΩ,1/16W  |
| R1351 |           | NRSA63J-272X | MG RESISTOR 2.7kΩ,1/16W | R1503 |           | NRVA63D-182X | CMF RESISTOR 1.8kΩ,1/16W |
| R1352 |           | NRSA63J-472X | MG RESISTOR 4.7kΩ,1/16W | R1504 |           | NRVA63D-181X | CMF RESISTOR 180Ω,1/16W  |
| R1354 |           | NRSA63J-0R0X | MG RESISTOR 0Ω,1/16W    | R1505 |           | NRVA63D-392X | CMF RESISTOR 3.9kΩ,1/16W |
| R1355 |           | NRSA63J-0R0X | MG RESISTOR 0Ω,1/16W    | R1506 |           | NRVA63D-391X | CMF RESISTOR 390Ω,1/16W  |
| R1356 |           | NRSA63J-472X | MG RESISTOR 4.7kΩ,1/16W | R1507 |           | NRVA63D-331X | CMF RESISTOR 330Ω,1/16W  |
| R1357 |           | NRSA63J-103X | MG RESISTOR 10kΩ,1/16W  | R1517 |           | NRSA63J-101X | MG RESISTOR 100Ω,1/16W   |
| R1358 |           | NRSA63J-101X | MG RESISTOR 100Ω,1/16W  | R1518 |           | NRSA63J-101X | MG RESISTOR 100Ω,1/16W   |
| R1401 |           | NRSA63J-101X | MG RESISTOR 100Ω,1/16W  | R1519 |           | NRSA63J-222X | MG RESISTOR 2.2kΩ,1/16W  |
| R1402 |           | NRSA63J-271X | MG RESISTOR 270Ω,1/16W  | R1520 |           | NRSA63J-223X | MG RESISTOR 22kΩ,1/16W   |
| R1403 |           | NRSA63J-561X | MG RESISTOR 560Ω,1/16W  | R1521 |           | NRSA63J-332X | MG RESISTOR 3.3kΩ,1/16W  |
| R1404 |           | NRSA63J-0R0X | MG RESISTOR 0Ω,1/16W    | R1522 |           | NRSA63J-333X | MG RESISTOR 33kΩ,1/16W   |
| R1405 |           | NRVA63D-153X | CMF RESISTOR 15kΩ,1/16W | R1523 |           | NRSA63J-103X | MG RESISTOR 10kΩ,1/16W   |
| R1406 |           | NRVA63D-183X | CMF RESISTOR 18kΩ,1/16W | R1527 |           | NRSA63J-102X | MG RESISTOR 1kΩ,1/16W    |
| R1407 |           | NRSA63J-0R0X | MG RESISTOR 0Ω,1/16W    | R1528 |           | NRSA63J-102X | MG RESISTOR 1kΩ,1/16W    |
| R1408 |           | NRSA63J-0R0X | MG RESISTOR 0Ω,1/16W    | R1529 |           | NRSA63J-821X | MG RESISTOR 820Ω,1/16W   |
| R1409 |           | NRSA63J-152X | MG RESISTOR 1.5kΩ,1/16W | R1530 |           | NRSA63J-683X | MG RESISTOR 68kΩ,1/16W   |
| R1410 |           | NRSA63J-101X | MG RESISTOR 100Ω,1/16W  | R1531 |           | NRSA63J-332X | MG RESISTOR 3.3kΩ,1/16W  |
| R1411 |           | NRSA63J-333X | MG RESISTOR 33kΩ,1/16W  | R1532 |           | NRSA63J-682X | MG RESISTOR 6.8kΩ,1/16W  |
| R1412 |           | NRSA63J-223X | MG RESISTOR 22kΩ,1/16W  | R1533 |           | NRSA63J-153X | MG RESISTOR 15kΩ,1/16W   |
| R1413 |           | NRSA63J-561X | MG RESISTOR 560Ω,1/16W  | R1534 |           | NRSA63J-153X | MG RESISTOR 15kΩ,1/16W   |
| R1414 |           | NRSA63J-681X | MG RESISTOR 680Ω,1/16W  | R1535 |           | NRSA63J-473X | MG RESISTOR 47kΩ,1/16W   |
| R1415 |           | NRSA63J-152X | MG RESISTOR 1.5kΩ,1/16W | R1536 |           | NRSA63J-103X | MG RESISTOR 10kΩ,1/16W   |
| R1416 |           | NRSA63J-561X | MG RESISTOR 560Ω,1/16W  | R1537 |           | NRSA63J-472X | MG RESISTOR 4.7kΩ,1/16W  |
| R1417 |           | NRSA63J-561X | MG RESISTOR 560Ω,1/16W  | R1538 |           | NRSA63J-333X | MG RESISTOR 33kΩ,1/16W   |
| R1418 |           | NRSA63J-272X | MG RESISTOR 2.7kΩ,1/16W | R1539 |           | NRSA63J-223X | MG RESISTOR 22kΩ,1/16W   |
| R1420 |           | NRSA63J-152X | MG RESISTOR 1.5kΩ,1/16W | R1540 |           | NRSA63J-333X | MG RESISTOR 33kΩ,1/16W   |
| R1421 |           | NRSA63J-472X | MG RESISTOR 4.7kΩ,1/16W | R1541 |           | NRSA63J-333X | MG RESISTOR 33kΩ,1/16W   |
| R1423 |           | NRSA63J-332X | MG RESISTOR 3.3kΩ,1/16W | R1542 |           | NRSA63J-472X | MG RESISTOR 4.7kΩ,1/16W  |
| R1424 |           | NRSA63J-472X | MG RESISTOR 4.7kΩ,1/16W | R1543 |           | NRSA63J-103X | MG RESISTOR 10kΩ,1/16W   |
| R1425 |           | NRSA63J-152X | MG RESISTOR 1.5kΩ,1/16W | R1544 |           | NRSA63J-103X | MG RESISTOR 10kΩ,1/16W   |
| R1426 |           | NRSA63J-472X | MG RESISTOR 4.7kΩ,1/16W | R1545 |           | NRSA63J-393X | MG RESISTOR 39kΩ,1/16W   |

| #     | △ REF No. | PART No.     | PART NAME, DESCRIPTION    | #     | △ REF No. | PART No.     | PART NAME, DESCRIPTION   |
|-------|-----------|--------------|---------------------------|-------|-----------|--------------|--------------------------|
| R1546 |           | NRSA63J-103X | MG RESISTOR 10kΩ, 1/16W   | R1613 |           | NRSA63J-473X | MG RESISTOR 47kΩ, 1/16W  |
| R1547 |           | NRSA63J-393X | MG RESISTOR 39kΩ, 1/16W   | R1615 |           | NRSA63J-750X | MG RESISTOR 75Ω, 1/16W   |
| R1548 |           | NRSA63J-104X | MG RESISTOR 100kΩ, 1/16W  | R1617 |           | NRSA63J-101X | MG RESISTOR 100Ω, 1/16W  |
| R1549 |           | NRSA63J-103X | MG RESISTOR 10kΩ, 1/16W   | R1618 |           | NRSA63J-472X | MG RESISTOR 4.7kΩ, 1/16W |
| R1550 |           | NRSA63J-103X | MG RESISTOR 10kΩ, 1/16W   | R1619 |           | NRSA63J-221X | MG RESISTOR 220Ω, 1/16W  |
| R1551 |           | NRSA63J-103X | MG RESISTOR 10kΩ, 1/16W   | R1620 |           | NRSA63J-221X | MG RESISTOR 220Ω, 1/16W  |
| R1552 |           | NRSA63J-273X | MG RESISTOR 27kΩ, 1/16W   | R1621 |           | NRSA63J-472X | MG RESISTOR 4.7kΩ, 1/16W |
| R1553 |           | NRSA63J-223X | MG RESISTOR 22kΩ, 1/16W   | R1622 |           | NRSA63J-104X | MG RESISTOR 100kΩ, 1/16W |
| R1557 |           | NRVA63D-471X | CMF RESISTOR 470Ω, 1/16W  | R1623 |           | NRSA63J-104X | MG RESISTOR 100kΩ, 1/16W |
| R1558 |           | NRVA63D-471X | CMF RESISTOR 470Ω, 1/16W  | R1624 |           | NRSA63J-472X | MG RESISTOR 4.7kΩ, 1/16W |
| R1559 |           | NRVA63D-272X | CMF RESISTOR 2.7kΩ, 1/16W | R1626 |           | NRSA63J-472X | MG RESISTOR 4.7kΩ, 1/16W |
| R1560 |           | NRVA63D-272X | CMF RESISTOR 2.7kΩ, 1/16W | R1627 |           | NRSA63J-472X | MG RESISTOR 4.7kΩ, 1/16W |
| R1561 |           | NRSA63J-102X | MG RESISTOR 1kΩ, 1/16W    | R1628 |           | NRSA63J-104X | MG RESISTOR 100kΩ, 1/16W |
| R1562 |           | NRSA63J-102X | MG RESISTOR 1kΩ, 1/16W    | R1629 |           | NRSA63J-103X | MG RESISTOR 10kΩ, 1/16W  |
| R1563 |           | NRSA63J-102X | MG RESISTOR 1kΩ, 1/16W    | R1630 |           | NRSA63J-103X | MG RESISTOR 10kΩ, 1/16W  |
| R1564 |           | NRSA63J-223X | MG RESISTOR 22kΩ, 1/16W   | R1632 |           | NRSA63J-0R0X | MG RESISTOR 0Ω, 1/16W    |
| R1565 |           | NRSA63J-222X | MG RESISTOR 2.2kΩ, 1/16W  | R1634 |           | NRSA63J-103X | MG RESISTOR 10kΩ, 1/16W  |
| R1566 |           | NRSA63J-472X | MG RESISTOR 4.7kΩ, 1/16W  | R1637 |           | NRSA63J-101X | MG RESISTOR 100Ω, 1/16W  |
| R1567 |           | NRSA63J-221X | MG RESISTOR 220Ω, 1/16W   | R1638 |           | NRSA63J-101X | MG RESISTOR 100Ω, 1/16W  |
| R1568 |           | NRSA63J-472X | MG RESISTOR 4.7kΩ, 1/16W  | R1701 |           | NRSA63J-471X | MG RESISTOR 470Ω, 1/16W  |
| R1569 |           | NRSA63J-472X | MG RESISTOR 4.7kΩ, 1/16W  | R1702 |           | NRSA63J-471X | MG RESISTOR 470Ω, 1/16W  |
| R1570 |           | NRSA63J-273X | MG RESISTOR 27kΩ, 1/16W   | R1703 |           | NRSA63J-271X | MG RESISTOR 270Ω, 1/16W  |
| R1571 |           | NRSA63J-221X | MG RESISTOR 220Ω, 1/16W   | R1704 |           | NRSA63J-471X | MG RESISTOR 470Ω, 1/16W  |
| R1572 |           | NRSA63J-472X | MG RESISTOR 4.7kΩ, 1/16W  | R1705 |           | NRSA63J-471X | MG RESISTOR 470Ω, 1/16W  |
| R1573 |           | NRSA63J-472X | MG RESISTOR 4.7kΩ, 1/16W  | R1706 |           | NRSA63J-271X | MG RESISTOR 270Ω, 1/16W  |
| R1574 |           | NRSA63J-472X | MG RESISTOR 4.7kΩ, 1/16W  | R1707 |           | NRSA63J-471X | MG RESISTOR 470Ω, 1/16W  |
| R1575 |           | NRSA63J-221X | MG RESISTOR 220Ω, 1/16W   | R1708 |           | NRSA63J-471X | MG RESISTOR 470Ω, 1/16W  |
| R1576 |           | NRSA63J-153X | MG RESISTOR 15kΩ, 1/16W   | R1709 |           | NRSA63J-271X | MG RESISTOR 270Ω, 1/16W  |
| R1577 |           | NRSA63J-472X | MG RESISTOR 4.7kΩ, 1/16W  | R1710 |           | NRSA63J-471X | MG RESISTOR 470Ω, 1/16W  |
| R1578 |           | NRSA63J-472X | MG RESISTOR 4.7kΩ, 1/16W  | R1711 |           | NRSA63J-471X | MG RESISTOR 470Ω, 1/16W  |
| R1579 |           | NRSA63J-0R0X | MG RESISTOR 0Ω, 1/16W     | R1712 |           | NRSA63J-271X | MG RESISTOR 270Ω, 1/16W  |
| R1580 |           | NRSA63J-822X | MG RESISTOR 8.2kΩ, 1/16W  | R1713 |           | NRSA63J-471X | MG RESISTOR 470Ω, 1/16W  |
| R1581 |           | NRSA63J-393X | MG RESISTOR 39kΩ, 1/16W   | R1714 |           | NRSA63J-471X | MG RESISTOR 470Ω, 1/16W  |
| R1582 |           | NRSA63J-104X | MG RESISTOR 100kΩ, 1/16W  | R1715 |           | NRSA63J-271X | MG RESISTOR 270Ω, 1/16W  |
| R1583 |           | NRSA63J-333X | MG RESISTOR 33kΩ, 1/16W   | R1716 |           | NRSA63J-471X | MG RESISTOR 470Ω, 1/16W  |
| R1584 |           | NRSA63J-101X | MG RESISTOR 100Ω, 1/16W   | R1717 |           | NRSA63J-471X | MG RESISTOR 470Ω, 1/16W  |
| R1586 |           | NRSA63J-153X | MG RESISTOR 15kΩ, 1/16W   | R1718 |           | NRSA63J-271X | MG RESISTOR 270Ω, 1/16W  |
| R1587 |           | NRSA63J-273X | MG RESISTOR 27kΩ, 1/16W   | R1719 |           | NRSA63J-471X | MG RESISTOR 470Ω, 1/16W  |
| R1588 |           | NRSA63J-333X | MG RESISTOR 33kΩ, 1/16W   | R1720 |           | NRSA63J-471X | MG RESISTOR 470Ω, 1/16W  |
| R1589 |           | NRSA63J-472X | MG RESISTOR 4.7kΩ, 1/16W  | R1721 |           | NRSA63J-271X | MG RESISTOR 270Ω, 1/16W  |
| R1590 |           | NRSA63J-472X | MG RESISTOR 4.7kΩ, 1/16W  | R1722 |           | NRSA63J-471X | MG RESISTOR 470Ω, 1/16W  |
| R1591 |           | NRSA63J-104X | MG RESISTOR 100kΩ, 1/16W  | R1723 |           | NRSA63J-471X | MG RESISTOR 470Ω, 1/16W  |
| R1592 |           | NRSA63J-102X | MG RESISTOR 1kΩ, 1/16W    | R1724 |           | NRSA63J-271X | MG RESISTOR 270Ω, 1/16W  |
| R1593 |           | NRSA63J-103X | MG RESISTOR 10kΩ, 1/16W   | R1725 |           | NRSA63J-103X | MG RESISTOR 10kΩ, 1/16W  |
| R1594 |           | NRSA63J-153X | MG RESISTOR 15kΩ, 1/16W   | R1726 |           | NRSA63J-102X | MG RESISTOR 1kΩ, 1/16W   |
| R1595 |           | NRSA63J-183X | MG RESISTOR 18kΩ, 1/16W   | R1727 |           | NRSA63J-102X | MG RESISTOR 1kΩ, 1/16W   |
| R1596 |           | NRSA63J-473X | MG RESISTOR 47kΩ, 1/16W   | R1729 |           | NRSA63J-0R0X | MG RESISTOR 0Ω, 1/16W    |
| R1598 |           | NRSA63J-473X | MG RESISTOR 47kΩ, 1/16W   | R1731 |           | NRSA63J-0R0X | MG RESISTOR 0Ω, 1/16W    |
| R1599 |           | NRSA63J-473X | MG RESISTOR 47kΩ, 1/16W   | R1732 |           | NRSA63J-0R0X | MG RESISTOR 0Ω, 1/16W    |
| R1600 |           | NRSA63J-683X | MG RESISTOR 68kΩ, 1/16W   | R1735 |           | NRSA63J-0R0X | MG RESISTOR 0Ω, 1/16W    |
| R1601 |           | NRSA63J-124X | MG RESISTOR 120kΩ, 1/16W  | R1736 |           | NRSA63J-0R0X | MG RESISTOR 0Ω, 1/16W    |
| R1602 |           | NRSA63J-223X | MG RESISTOR 22kΩ, 1/16W   | R1739 |           | NRSA63J-0R0X | MG RESISTOR 0Ω, 1/16W    |
| R1603 |           | NRSA63J-104X | MG RESISTOR 100kΩ, 1/16W  | R1748 |           | NRSA63J-471X | MG RESISTOR 470Ω, 1/16W  |
| R1604 |           | NRSA63J-104X | MG RESISTOR 100kΩ, 1/16W  | R1749 |           | NRSA63J-471X | MG RESISTOR 470Ω, 1/16W  |
| R1605 |           | NRSA63J-103X | MG RESISTOR 10kΩ, 1/16W   | R1750 |           | NRSA63J-271X | MG RESISTOR 270Ω, 1/16W  |
| R1606 |           | NRSA63J-103X | MG RESISTOR 10kΩ, 1/16W   | R1751 |           | NRSA63J-471X | MG RESISTOR 470Ω, 1/16W  |
| R1607 |           | NRSA63J-102X | MG RESISTOR 1kΩ, 1/16W    | R1752 |           | NRSA63J-471X | MG RESISTOR 470Ω, 1/16W  |
| R1608 |           | NRSA63J-102X | MG RESISTOR 1kΩ, 1/16W    | R1753 |           | NRSA63J-271X | MG RESISTOR 270Ω, 1/16W  |
| R1609 |           | NRSA63J-102X | MG RESISTOR 1kΩ, 1/16W    | R1754 |           | NRSA63J-471X | MG RESISTOR 470Ω, 1/16W  |
| R1610 |           | NRSA63J-102X | MG RESISTOR 1kΩ, 1/16W    | R1755 |           | NRSA63J-471X | MG RESISTOR 470Ω, 1/16W  |
| R1611 |           | NRSA63D-394X | MG RESISTOR 390kΩ, 1/16W  | R1756 |           | NRSA63J-271X | MG RESISTOR 270Ω, 1/16W  |

| #     | △ REF No. | PART No.     | PART NAME, DESCRIPTION   | #     | △ REF No. | PART No.     | PART NAME, DESCRIPTION   |
|-------|-----------|--------------|--------------------------|-------|-----------|--------------|--------------------------|
| R1757 |           | NRSA63J-471X | MG RESISTOR 470Ω,1/16W   | R1831 |           | NRSA63J-101X | MG RESISTOR 100Ω,1/16W   |
| R1758 |           | NRSA63J-471X | MG RESISTOR 470Ω,1/16W   | R1832 |           | NRSA63J-473X | MG RESISTOR 47kΩ,1/16W   |
| R1759 |           | NRSA63J-271X | MG RESISTOR 270Ω,1/16W   | R1833 |           | NRSA63J-473X | MG RESISTOR 47kΩ,1/16W   |
| R1760 |           | NRSA63J-471X | MG RESISTOR 470Ω,1/16W   | R1834 |           | NRSA63J-0R0X | MG RESISTOR 0Ω,1/16W     |
| R1761 |           | NRSA63J-471X | MG RESISTOR 470Ω,1/16W   | R1858 |           | NRSA63J-471X | MG RESISTOR 470Ω,1/16W   |
| R1762 |           | NRSA63J-271X | MG RESISTOR 270Ω,1/16W   | R1859 |           | NRSA63J-471X | MG RESISTOR 470Ω,1/16W   |
| R1763 |           | NRSA63J-471X | MG RESISTOR 470Ω,1/16W   | R1860 |           | NRSA63J-471X | MG RESISTOR 470Ω,1/16W   |
| R1764 |           | NRSA63J-471X | MG RESISTOR 470Ω,1/16W   | R1861 |           | NRSA63J-471X | MG RESISTOR 470Ω,1/16W   |
| R1765 |           | NRSA63J-271X | MG RESISTOR 270Ω,1/16W   | R1862 |           | NRSA63J-471X | MG RESISTOR 470Ω,1/16W   |
| R1770 |           | NRSA63J-750X | MG RESISTOR 75Ω,1/16W    | R1863 |           | NRSA63J-471X | MG RESISTOR 470Ω,1/16W   |
| R1771 |           | NRVA63D-272X | CMF RESISTOR 2.7kΩ,1/16W | R1864 |           | NRSA63J-471X | MG RESISTOR 470Ω,1/16W   |
| R1772 |           | NRVA63D-221X | CMF RESISTOR 220Ω,1/16W  | R1865 |           | NRSA63J-471X | MG RESISTOR 470Ω,1/16W   |
| R1773 |           | NRVA63D-222X | CMF RESISTOR 2.2kΩ,1/16W | R1866 |           | NRSA63J-473X | MG RESISTOR 47kΩ,1/16W   |
| R1774 |           | NRSA63J-474X | MG RESISTOR 470kΩ,1/16W  | R1867 |           | NRSA63J-473X | MG RESISTOR 47kΩ,1/16W   |
| R1775 |           | NRSA63J-102X | MG RESISTOR 1kΩ,1/16W    | R1871 |           | NRSA63J-561X | MG RESISTOR 560Ω,1/16W   |
| R1776 |           | NRSA63J-102X | MG RESISTOR 1kΩ,1/16W    | R1872 |           | NRSA63J-472X | MG RESISTOR 4.7kΩ,1/16W  |
| R1777 |           | NRVA63D-562X | CMF RESISTOR 5.6kΩ,1/16W | R1873 |           | NRSA63J-472X | MG RESISTOR 4.7kΩ,1/16W  |
| R1778 |           | NRVA63D-561X | CMF RESISTOR 560Ω,1/16W  | R1874 |           | NRSA63J-103X | MG RESISTOR 10kΩ,1/16W   |
| R1779 |           | NRVA63D-222X | CMF RESISTOR 2.2kΩ,1/16W | R1875 |           | NRSA63J-103X | MG RESISTOR 10kΩ,1/16W   |
| R1780 |           | NRSA63J-221X | MG RESISTOR 220Ω,1/16W   | R1876 |           | NRSA63J-102X | MG RESISTOR 1kΩ,1/16W    |
| R1781 |           | NRVA63D-224X | CMF RESISTOR 220kΩ,1/16W | R1877 |           | NRSA63J-102X | MG RESISTOR 1kΩ,1/16W    |
| R1782 |           | NRSA63J-332X | MG RESISTOR 3.3kΩ,1/16W  | R1878 |           | NRSA63J-102X | MG RESISTOR 1kΩ,1/16W    |
| R1787 |           | NRSA63J-332X | MG RESISTOR 3.3kΩ,1/16W  | R1879 |           | NRSA63J-102X | MG RESISTOR 1kΩ,1/16W    |
| R1788 |           | NRSA63J-332X | MG RESISTOR 3.3kΩ,1/16W  | R1880 |           | NRSA63J-102X | MG RESISTOR 1kΩ,1/16W    |
| R1789 |           | NRSA63J-222X | MG RESISTOR 2.2kΩ,1/16W  | R1881 |           | NRSA63J-472X | MG RESISTOR 4.7kΩ,1/16W  |
| R1790 |           | NRSA63J-332X | MG RESISTOR 3.3kΩ,1/16W  | R1882 |           | NRSA63J-472X | MG RESISTOR 4.7kΩ,1/16W  |
| R1791 |           | NRSA63J-332X | MG RESISTOR 3.3kΩ,1/16W  | R1883 |           | NRSA63J-0R0X | MG RESISTOR 0Ω,1/16W     |
| R1792 |           | NRSA63J-222X | MG RESISTOR 2.2kΩ,1/16W  | R1884 |           | NRSA63J-0R0X | MG RESISTOR 0Ω,1/16W     |
| R1793 |           | NRVA63D-221X | CMF RESISTOR 220Ω,1/16W  | R1885 |           | NRSA63J-472X | MG RESISTOR 4.7kΩ,1/16W  |
| R1794 |           | NRSA63J-222X | MG RESISTOR 2.2kΩ,1/16W  | R1886 |           | NRSA63J-121X | MG RESISTOR 120Ω,1/16W   |
| R1795 |           | NRVA63D-221X | CMF RESISTOR 220Ω,1/16W  | R1887 |           | NRSA63J-121X | MG RESISTOR 120Ω,1/16W   |
| R1796 |           | NRSA63J-222X | MG RESISTOR 2.2kΩ,1/16W  | R1888 |           | NRSA63J-333X | MG RESISTOR 33kΩ,1/16W   |
| R1797 |           | NRVA63D-221X | CMF RESISTOR 220Ω,1/16W  | R1889 |           | NRSA63J-473X | MG RESISTOR 47kΩ,1/16W   |
| R1798 |           | NRSA63J-222X | MG RESISTOR 2.2kΩ,1/16W  | R1890 |           | NRSA63J-473X | MG RESISTOR 47kΩ,1/16W   |
| R1799 |           | NRSA63J-332X | MG RESISTOR 3.3kΩ,1/16W  | R1891 |           | NRSA63J-473X | MG RESISTOR 47kΩ,1/16W   |
| R1800 |           | NRSA63J-332X | MG RESISTOR 3.3kΩ,1/16W  | R1892 |           | NRSA63J-473X | MG RESISTOR 47kΩ,1/16W   |
| R1801 |           | NRSA63J-332X | MG RESISTOR 3.3kΩ,1/16W  | R1893 |           | NRSA63J-473X | MG RESISTOR 47kΩ,1/16W   |
| R1802 |           | NRSA63J-820X | MG RESISTOR 82Ω,1/16W    | R1894 |           | NRSA63J-473X | MG RESISTOR 47kΩ,1/16W   |
| R1803 |           | NRSA63J-820X | MG RESISTOR 82Ω,1/16W    | R1895 |           | NRSA63J-473X | MG RESISTOR 47kΩ,1/16W   |
| R1804 |           | NRVA63D-223X | CMF RESISTOR 22kΩ,1/16W  | R1896 |           | NRSA63J-473X | MG RESISTOR 47kΩ,1/16W   |
| R1805 |           | NRSA63J-820X | MG RESISTOR 82Ω,1/16W    | R1897 |           | NRSA63J-473X | MG RESISTOR 47kΩ,1/16W   |
| R1806 |           | NRSA63J-820X | MG RESISTOR 82Ω,1/16W    | R1898 |           | NRSA63J-473X | MG RESISTOR 47kΩ,1/16W   |
| R1807 |           | NRVA63D-223X | CMF RESISTOR 22kΩ,1/16W  | R1899 |           | NRSA63J-473X | MG RESISTOR 47kΩ,1/16W   |
| R1808 |           | NRSA63J-271X | MG RESISTOR 270Ω,1/16W   | R1900 |           | NRSA63J-473X | MG RESISTOR 47kΩ,1/16W   |
| R1809 |           | NRSA63J-121X | MG RESISTOR 120Ω,1/16W   | R1901 |           | NRSA63J-471X | MG RESISTOR 470Ω,1/16W   |
| R1810 |           | NRSA63J-271X | MG RESISTOR 270Ω,1/16W   | R1902 |           | NRSA63J-473X | MG RESISTOR 47kΩ,1/16W   |
| R1811 |           | NRSA63J-121X | MG RESISTOR 120Ω,1/16W   | R1903 |           | NRSA63J-473X | MG RESISTOR 47kΩ,1/16W   |
| R1812 |           | NRSA63J-0R0X | MG RESISTOR 0Ω,1/16W     | R1904 |           | NRSA63J-473X | MG RESISTOR 47kΩ,1/16W   |
| R1813 |           | NRSA63J-0R0X | MG RESISTOR 0Ω,1/16W     | R1910 |           | NRSA63J-0R0X | MG RESISTOR 0Ω,1/16W     |
| R1814 |           | NRSA63J-0R0X | MG RESISTOR 0Ω,1/16W     | R1911 |           | NRSA63J-472X | MG RESISTOR 4.7kΩ,1/16W  |
| R1815 |           | NRSA63J-0R0X | MG RESISTOR 0Ω,1/16W     | R1912 |           | NRSA63J-472X | MG RESISTOR 4.7kΩ,1/16W  |
| R1816 |           | NRSA63J-0R0X | MG RESISTOR 0Ω,1/16W     | R1913 |           | NRSA63J-0R0X | MG RESISTOR 0Ω,1/16W     |
| R1819 |           | NRSA63J-0R0X | MG RESISTOR 0Ω,1/16W     | R1914 |           | NRSA63J-0R0X | MG RESISTOR 0Ω,1/16W     |
| R1820 |           | NRSA63J-0R0X | MG RESISTOR 0Ω,1/16W     | R1915 |           | NRSA63J-0R0X | MG RESISTOR 0Ω,1/16W     |
| R1821 |           | NRSA63J-121X | MG RESISTOR 120Ω,1/16W   | R1920 |           | NRVA63D-392X | CMF RESISTOR 3.9kΩ,1/16W |
| R1823 |           | NRSA63J-0R0X | MG RESISTOR 0Ω,1/16W     | R1921 |           | NRVA63D-562X | CMF RESISTOR 5.6kΩ,1/16W |
| R1824 |           | NRSA63J-0R0X | MG RESISTOR 0Ω,1/16W     | R1922 |           | NRSA63J-474X | MG RESISTOR 470kΩ,1/16W  |
| R1827 |           | NRSA63J-0R0X | MG RESISTOR 0Ω,1/16W     | R1923 |           | NRVA63D-332X | CMF RESISTOR 3.3kΩ,1/16W |
| R1828 |           | NRSA63J-472X | MG RESISTOR 4.7kΩ,1/16W  | R1924 |           | NRVA63D-102X | CMF RESISTOR 1kΩ,1/16W   |
| R1829 |           | NRSA63J-101X | MG RESISTOR 100Ω,1/16W   | R1925 |           | NRVA63D-332X | CMF RESISTOR 3.3kΩ,1/16W |
| R1830 |           | NRSA63J-101X | MG RESISTOR 100Ω,1/16W   | R1926 |           | NRVA63D-332X | CMF RESISTOR 3.3kΩ,1/16W |
|       |           |              |                          | R1927 |           | NRVA63D-104X | CMF RESISTOR 100kΩ,1/16W |



| # | △ REF No. | PART No.     | PART NAME, DESCRIPTION |              | # | △ REF No. | PART No.     | PART NAME, DESCRIPTION |              |
|---|-----------|--------------|------------------------|--------------|---|-----------|--------------|------------------------|--------------|
|   | R1928     | NRVA63D-332X | CMF RESISTOR           | 3.3kΩ, 1/16W |   | R2221     | NRVA63D-122X | CMF RESISTOR           | 1.2kΩ, 1/16W |
|   | R1929     | NRSA63J-474X | MG RESISTOR            | 470kΩ, 1/16W |   | R2222     | NRSA63J-750X | MG RESISTOR            | 75Ω, 1/16W   |
|   | R1932     | NRSA63J-102X | MG RESISTOR            | 1kΩ, 1/16W   |   | R2251     | NRSA63J-101X | MG RESISTOR            | 100Ω, 1/16W  |
|   | R1933     | NRSA63J-102X | MG RESISTOR            | 1kΩ, 1/16W   |   | R2252     | NRSA63J-102X | MG RESISTOR            | 1kΩ, 1/16W   |
|   | R1934     | NRSA63J-102X | MG RESISTOR            | 1kΩ, 1/16W   |   | R2253     | NRSA63J-561X | MG RESISTOR            | 560Ω, 1/16W  |
|   | R1935     | NRSA63J-102X | MG RESISTOR            | 1kΩ, 1/16W   |   | R2254     | NRSA63J-221X | MG RESISTOR            | 220Ω, 1/16W  |
|   | R1936     | NRSA63J-102X | MG RESISTOR            | 1kΩ, 1/16W   |   | R2255     | NRSA63J-391X | MG RESISTOR            | 390Ω, 1/16W  |
|   | R1937     | NRSA63J-102X | MG RESISTOR            | 1kΩ, 1/16W   |   | R2256     | NRSA63J-102X | MG RESISTOR            | 1kΩ, 1/16W   |
|   | R1938     | NRSA63J-102X | MG RESISTOR            | 1kΩ, 1/16W   |   | R2257     | NRSA63J-101X | MG RESISTOR            | 100Ω, 1/16W  |
|   | R1939     | NRSA63J-102X | MG RESISTOR            | 1kΩ, 1/16W   |   | R2258     | NRSA63J-561X | MG RESISTOR            | 560Ω, 1/16W  |
|   | R1940     | NRSA63J-102X | MG RESISTOR            | 1kΩ, 1/16W   |   | R2259     | NRSA63J-561X | MG RESISTOR            | 560Ω, 1/16W  |
|   | R1941     | NRSA63J-102X | MG RESISTOR            | 1kΩ, 1/16W   |   | R2260     | NRSA63J-750X | MG RESISTOR            | 75Ω, 1/16W   |
|   | R1942     | NRSA63J-471X | MG RESISTOR            | 470Ω, 1/16W  |   | R2280     | NRSA63J-221X | MG RESISTOR            | 220Ω, 1/16W  |
|   | R1943     | NRSA63J-471X | MG RESISTOR            | 470Ω, 1/16W  |   | R2281     | NRSA63J-0R0X | MG RESISTOR            | 0Ω, 1/16W    |
| △ | R1944     | NRSA63J-102X | MG RESISTOR            | 1kΩ, 1/16W   |   | R2282     | NRSA63J-221X | MG RESISTOR            | 220Ω, 1/16W  |
|   | R1945     | NRSA63J-0R0X | MG RESISTOR            | 0Ω, 1/16W    |   | R2283     | NRSA63J-472X | MG RESISTOR            | 4.7kΩ, 1/16W |
|   | R1946     | NRSA63J-223X | MG RESISTOR            | 22kΩ, 1/16W  |   | R2284     | NRSA63J-0R0X | MG RESISTOR            | 0Ω, 1/16W    |
|   | R1947     | NRSA63J-223X | MG RESISTOR            | 22kΩ, 1/16W  |   | R2285     | NRSA63J-221X | MG RESISTOR            | 220Ω, 1/16W  |
|   | R1948     | NRSA63J-472X | MG RESISTOR            | 4.7kΩ, 1/16W |   | R2286     | NRSA63J-332X | MG RESISTOR            | 3.3kΩ, 1/16W |
|   | R1949     | NRSA63J-472X | MG RESISTOR            | 4.7kΩ, 1/16W |   | R2287     | NRSA63J-0R0X | MG RESISTOR            | 0Ω, 1/16W    |
|   | R1950     | NRSA63J-472X | MG RESISTOR            | 4.7kΩ, 1/16W |   | R2288     | NRSA63J-222X | MG RESISTOR            | 2.2kΩ, 1/16W |
|   | R1951     | NRSA63J-472X | MG RESISTOR            | 4.7kΩ, 1/16W |   | R2289     | NRVA63D-102X | CMF RESISTOR           | 1kΩ, 1/16W   |
|   | R2101     | NRSA63J-0R0X | MG RESISTOR            | 0Ω, 1/16W    |   | R2290     | NRVA63D-392X | CMF RESISTOR           | 3.9kΩ, 1/16W |
|   | R2102     | NRSA63J-221X | MG RESISTOR            | 220Ω, 1/16W  |   | R2291     | NRSA63J-0R0X | MG RESISTOR            | 0Ω, 1/16W    |
|   | R2103     | NRSA63J-332X | MG RESISTOR            | 3.3kΩ, 1/16W |   | R2292     | NRSA63J-223X | MG RESISTOR            | 22kΩ, 1/16W  |
|   | R2104     | NRSA63J-331X | MG RESISTOR            | 330Ω, 1/16W  |   | R2293     | NRSA63J-0R0X | MG RESISTOR            | 0Ω, 1/16W    |
|   | R2120     | NRSA63J-561X | MG RESISTOR            | 560Ω, 1/16W  |   | R2294     | NRSA63J-472X | MG RESISTOR            | 4.7kΩ, 1/16W |
|   | R2121     | NRVA63D-122X | CMF RESISTOR           | 1.2kΩ, 1/16W |   | R2295     | NRSA63J-221X | MG RESISTOR            | 220Ω, 1/16W  |
|   | R2122     | NRSA63J-750X | MG RESISTOR            | 75Ω, 1/16W   |   | R2296     | NRSA63J-0R0X | MG RESISTOR            | 0Ω, 1/16W    |
|   | R2155     | NRSA63J-102X | MG RESISTOR            | 1kΩ, 1/16W   |   | R2301     | NRSA63J-0R0X | MG RESISTOR            | 0Ω, 1/16W    |
|   | R2156     | NRSA63J-101X | MG RESISTOR            | 100Ω, 1/16W  |   | R2302     | NRSA63J-221X | MG RESISTOR            | 220Ω, 1/16W  |
|   | R2157     | NRSA63J-561X | MG RESISTOR            | 560Ω, 1/16W  |   | R2303     | NRSA63J-332X | MG RESISTOR            | 3.3kΩ, 1/16W |
|   | R2158     | NRSA63J-101X | MG RESISTOR            | 100Ω, 1/16W  |   | R2304     | NRSA63J-331X | MG RESISTOR            | 330Ω, 1/16W  |
|   | R2159     | NRSA63J-561X | MG RESISTOR            | 560Ω, 1/16W  |   | R2320     | NRSA63J-561X | MG RESISTOR            | 560Ω, 1/16W  |
|   | R2160     | NRSA63J-821X | MG RESISTOR            | 820Ω, 1/16W  |   | R2321     | NRVA63D-122X | CMF RESISTOR           | 1.2kΩ, 1/16W |
|   | R2161     | NRSA63J-222X | MG RESISTOR            | 2.2kΩ, 1/16W |   | R2322     | NRSA63J-750X | MG RESISTOR            | 75Ω, 1/16W   |
|   | R2162     | NRSA63J-391X | MG RESISTOR            | 390Ω, 1/16W  |   | R2351     | NRSA63J-101X | MG RESISTOR            | 100Ω, 1/16W  |
|   | R2163     | NRSA63J-750X | MG RESISTOR            | 75Ω, 1/16W   |   | R2352     | NRSA63J-102X | MG RESISTOR            | 1kΩ, 1/16W   |
|   | R2180     | NRSA63J-221X | MG RESISTOR            | 220Ω, 1/16W  |   | R2353     | NRSA63J-561X | MG RESISTOR            | 560Ω, 1/16W  |
|   | R2181     | NRSA63J-0R0X | MG RESISTOR            | 0Ω, 1/16W    |   | R2354     | NRSA63J-271X | MG RESISTOR            | 270Ω, 1/16W  |
|   | R2182     | NRSA63J-221X | MG RESISTOR            | 220Ω, 1/16W  |   | R2355     | NRSA63J-471X | MG RESISTOR            | 470Ω, 1/16W  |
|   | R2183     | NRSA63J-472X | MG RESISTOR            | 4.7kΩ, 1/16W |   | R2356     | NRSA63J-102X | MG RESISTOR            | 1kΩ, 1/16W   |
|   | R2184     | NRSA63J-0R0X | MG RESISTOR            | 0Ω, 1/16W    |   | R2357     | NRSA63J-101X | MG RESISTOR            | 100Ω, 1/16W  |
|   | R2185     | NRSA63J-221X | MG RESISTOR            | 220Ω, 1/16W  |   | R2358     | NRSA63J-561X | MG RESISTOR            | 560Ω, 1/16W  |
|   | R2186     | NRSA63J-332X | MG RESISTOR            | 3.3kΩ, 1/16W |   | R2359     | NRSA63J-561X | MG RESISTOR            | 560Ω, 1/16W  |
|   | R2187     | NRSA63J-0R0X | MG RESISTOR            | 0Ω, 1/16W    |   | R2360     | NRSA63J-750X | MG RESISTOR            | 75Ω, 1/16W   |
|   | R2188     | NRSA63J-222X | MG RESISTOR            | 2.2kΩ, 1/16W |   | R2380     | NRSA63J-271X | MG RESISTOR            | 270Ω, 1/16W  |
|   | R2189     | NRVA63D-102X | CMF RESISTOR           | 1kΩ, 1/16W   |   | R2381     | NRSA63J-0R0X | MG RESISTOR            | 0Ω, 1/16W    |
|   | R2190     | NRVA63D-392X | CMF RESISTOR           | 3.9kΩ, 1/16W |   | R2382     | NRSA63J-221X | MG RESISTOR            | 220Ω, 1/16W  |
|   | R2191     | NRSA63J-0R0X | MG RESISTOR            | 0Ω, 1/16W    |   | R2383     | NRSA63J-472X | MG RESISTOR            | 4.7kΩ, 1/16W |
|   | R2192     | NRSA63J-223X | MG RESISTOR            | 22kΩ, 1/16W  |   | R2384     | NRSA63J-0R0X | MG RESISTOR            | 0Ω, 1/16W    |
|   | R2193     | NRSA63J-0R0X | MG RESISTOR            | 0Ω, 1/16W    |   | R2385     | NRSA63J-221X | MG RESISTOR            | 220Ω, 1/16W  |
|   | R2194     | NRSA63J-472X | MG RESISTOR            | 4.7kΩ, 1/16W |   | R2386     | NRSA63J-332X | MG RESISTOR            | 3.3kΩ, 1/16W |
|   | R2195     | NRSA63J-221X | MG RESISTOR            | 220Ω, 1/16W  |   | R2387     | NRSA63J-0R0X | MG RESISTOR            | 0Ω, 1/16W    |
|   | R2196     | NRSA63J-0R0X | MG RESISTOR            | 0Ω, 1/16W    |   | R2388     | NRSA63J-222X | MG RESISTOR            | 2.2kΩ, 1/16W |
|   | R2197     | NRSA63J-0R0X | MG RESISTOR            | 0Ω, 1/16W    |   | R2389     | NRVA63D-102X | CMF RESISTOR           | 1kΩ, 1/16W   |
|   | R2201     | NRSA63J-0R0X | MG RESISTOR            | 0Ω, 1/16W    |   | R2390     | NRVA63D-392X | CMF RESISTOR           | 3.9kΩ, 1/16W |
|   | R2202     | NRSA63J-221X | MG RESISTOR            | 220Ω, 1/16W  |   | R2391     | NRSA63J-0R0X | MG RESISTOR            | 0Ω, 1/16W    |
|   | R2203     | NRSA63J-332X | MG RESISTOR            | 3.3kΩ, 1/16W |   | R2392     | NRSA63J-223X | MG RESISTOR            | 22kΩ, 1/16W  |
|   | R2204     | NRSA63J-331X | MG RESISTOR            | 330Ω, 1/16W  |   | R2393     | NRSA63J-0R0X | MG RESISTOR            | 0Ω, 1/16W    |
|   | R2220     | NRSA63J-561X | MG RESISTOR            | 560Ω, 1/16W  |   | R2394     | NRSA63J-472X | MG RESISTOR            | 4.7kΩ, 1/16W |



| #      | △ REF No. | PART No.     | PART NAME, DESCRIPTION         | #      | △ REF No. | PART No.     | PART NAME, DESCRIPTION |
|--------|-----------|--------------|--------------------------------|--------|-----------|--------------|------------------------|
| R8120  |           | NRSA63J-221X | MG RESISTOR 220Ω, 1/16W        | RA1703 |           | NRZ0015-221X | NETWORK RESISTOR 220Ω  |
| R8121  |           | NRSA63J-101X | MG RESISTOR 100Ω, 1/16W        | RA1704 |           | NRZ0015-221X | NETWORK RESISTOR 220Ω  |
| R8122  |           | NRSA63J-101X | MG RESISTOR 100Ω, 1/16W        | RA1705 |           | NRZ0015-221X | NETWORK RESISTOR 220Ω  |
| R8123  |           | NRSA63J-101X | MG RESISTOR 100Ω, 1/16W        | RA1706 |           | NRZ0015-221X | NETWORK RESISTOR 220Ω  |
| R8124  |           | NRSA63J-101X | MG RESISTOR 100Ω, 1/16W        | RA1707 |           | NRZ0015-221X | NETWORK RESISTOR 220Ω  |
| R8125  |           | NRSA63J-101X | MG RESISTOR 100Ω, 1/16W        | RA1708 |           | NRZ0015-221X | NETWORK RESISTOR 220Ω  |
| R8126  |           | NRSA63J-101X | MG RESISTOR 100Ω, 1/16W        | RA1709 |           | NRZ0015-471X | NETWORK RESISTOR 470Ω  |
| R8127  |           | NRSA63J-0R0X | MG RESISTOR 0Ω, 1/16W          | RA1710 |           | NRZ0040-472X | NETWORK RESISTOR 4.7kΩ |
| R8128  |           | NRSA63J-0R0X | MG RESISTOR 0Ω, 1/16W          | RA1711 |           | NRZ0040-472X | NETWORK RESISTOR 4.7kΩ |
| R8129  |           | NRSA63J-101X | MG RESISTOR 100Ω, 1/16W        | RA1712 |           | NRZ0040-472X | NETWORK RESISTOR 4.7kΩ |
| R8130  |           | NRSA63J-101X | MG RESISTOR 100Ω, 1/16W        | RA1713 |           | NRZ0040-472X | NETWORK RESISTOR 4.7kΩ |
| R8131  |           | NRSA63J-101X | MG RESISTOR 100Ω, 1/16W        | RA1714 |           | NRZ0040-472X | NETWORK RESISTOR 4.7kΩ |
| R8132  |           | NRSA63J-101X | MG RESISTOR 100Ω, 1/16W        | RA1715 |           | NRZ0040-472X | NETWORK RESISTOR 4.7kΩ |
| R8133  |           | NRSA63J-101X | MG RESISTOR 100Ω, 1/16W        | RA1716 |           | NRZ0040-472X | NETWORK RESISTOR 4.7kΩ |
| R8134  |           | NRSA63J-101X | MG RESISTOR 100Ω, 1/16W        | RA1717 |           | NRZ0040-102X | NETWORK RESISTOR 1kΩ   |
| R8135  |           | NRS181J-0R0X | MG RESISTOR 0Ω, 1/8W           | RA1718 |           | NRZ0040-102X | NETWORK RESISTOR 1kΩ   |
| VR1101 |           | NVP1415-102X | TRIM RESISTOR,G1 LEVEL         | RA1719 |           | NRZ0040-102X | NETWORK RESISTOR 1kΩ   |
| VR1102 |           | NVP1415-502X | TRIM RESISTOR,G1 KNEE LEVEL    | RA1720 |           | NRZ0040-102X | NETWORK RESISTOR 1kΩ   |
| VR1103 |           | NVP1415-103X | TRIM RESISTOR,G1 CLAMP LEVEL   | RA1722 |           | NRZ0040-473X | NETWORK RESISTOR 47kΩ  |
| VR1201 |           | NVP1415-102X | TRIM RESISTOR,G2 LEVEL         | RA1726 |           | NRZ0040-473X | NETWORK RESISTOR 47kΩ  |
| VR1202 |           | NVP1415-502X | TRIM RESISTOR,G2 KNEE LEVEL    | RA1733 |           | NRZ0040-102X | NETWORK RESISTOR 1kΩ   |
| VR1203 |           | NVP1415-103X | TRIM RESISTOR,G2 CLAMP LEVEL   | RA1734 |           | NRZ0040-102X | NETWORK RESISTOR 1kΩ   |
| VR1301 |           | NVP1415-102X | TRIM RESISTOR,BLUE LEVEL       | RA1735 |           | NRZ0040-102X | NETWORK RESISTOR 1kΩ   |
| VR1302 |           | NVP1415-502X | TRIM RESISTOR,B KNEE LEVEL     | RA1736 |           | NRZ0040-102X | NETWORK RESISTOR 1kΩ   |
| VR1303 |           | NVP1415-103X | TRIM RESISTOR,B CLAMP LEVEL    | RA8001 |           | NRZ0040-221X | NETWORK RESISTOR 220Ω  |
| VR1401 |           | NVP1415-102X | TRIM RESISTOR,R LEVEL          | RA8002 |           | NRZ0040-221X | NETWORK RESISTOR 220Ω  |
| VR1402 |           | NVP1415-502X | TRIM RESISTOR,R KNEE LEVEL     | RA8003 |           | NRZ0040-221X | NETWORK RESISTOR 220Ω  |
| VR1403 |           | NVP1415-103X | TRIM RESISTOR,R CLAMP LEVEL    | RA8004 |           | NRZ0040-221X | NETWORK RESISTOR 220Ω  |
| VR1502 |           | NVP1415-502X | TRIM RESISTOR,A/D CLK PHASE    | RA8005 |           | NRZ0040-221X | NETWORK RESISTOR 220Ω  |
| VR1503 |           | NVP1415-502X | TRIM RESISTOR,G1 VERT.COL LAG  | RA8006 |           | NRZ0040-221X | NETWORK RESISTOR 220Ω  |
| VR1504 |           | NVP1415-502X | TRIM RESISTOR,G1/G2 VERT LAG   | RA8007 |           | NRZ0040-221X | NETWORK RESISTOR 220Ω  |
| VR1506 |           | NVP1415-503X | TRIM RESISTOR,DC BAL           | RA8008 |           | NRZ0040-221X | NETWORK RESISTOR 220Ω  |
| VR1507 |           | NVP1415-503X | TRIM RESISTOR,AMP GAIN         | RA8009 |           | NRZ0040-221X | NETWORK RESISTOR 220Ω  |
| VR1701 |           | NVP1415-103X | TRIM RESISTOR,PLL              | RA8010 |           | NRZ0040-221X | NETWORK RESISTOR 220Ω  |
| VR2104 |           | NVP1415-201X | TRIM RESISTOR,ENC Y GAIN       | RA8011 |           | NRZ0040-221X | NETWORK RESISTOR 220Ω  |
| VR2105 |           | NVP1415-201X | TRIM RESISTOR,ENC G GAIN       | RA8012 |           | NRZ0040-221X | NETWORK RESISTOR 220Ω  |
| VR2106 |           | NVP1415-201X | TRIM RESISTOR,ENC R GAIN       | RA8013 |           | NRZ0040-221X | NETWORK RESISTOR 220Ω  |
| VR2107 |           | NVP1415-201X | TRIM RESISTOR,NOT USED         | RA8014 |           | NRZ0040-221X | NETWORK RESISTOR 220Ω  |
| VR2108 |           | NVP1415-201X | TRIM RESISTOR,ENC Y LEVEL      | RA8015 |           | NRZ0040-221X | NETWORK RESISTOR 220Ω  |
| VR2204 |           | NVP1415-201X | TRIM RESISTOR,ENC PB GAIN      | RA8016 |           | NRZ0040-221X | NETWORK RESISTOR 220Ω  |
| VR2205 |           | NVP1415-501X | TRIM RESISTOR,ENC B GAIN       | RA8017 |           | NRZ0040-221X | NETWORK RESISTOR 220Ω  |
| VR2207 |           | NVP1415-201X | TRIM RESISTOR,NOT USED         | RA8018 |           | NRZ0040-221X | NETWORK RESISTOR 220Ω  |
| VR2208 |           | NVP1415-201X | TRIM RESISTOR,ENC PB LEVEL     | RA8019 |           | NRZ0040-221X | NETWORK RESISTOR 220Ω  |
| VR2304 |           | NVP1415-201X | TRIM RESISTOR,ENC PR GAIN      | RA8020 |           | NRZ0040-221X | NETWORK RESISTOR 220Ω  |
| VR2305 |           | NVP1415-201X | TRIM RESISTOR,ENC R GAIN       | RA8021 |           | NRZ0040-221X | NETWORK RESISTOR 220Ω  |
| VR2307 |           | NVP1415-201X | TRIM RESISTOR,NOT USED         | RA8022 |           | NRZ0040-221X | NETWORK RESISTOR 220Ω  |
| VR2308 |           | NVP1415-201X | TRIM RESISTOR,ENC PR LEVEL     | RA8023 |           | NRZ0040-221X | NETWORK RESISTOR 220Ω  |
| VR2401 |           | NVP1415-102X | TRIM RESISTOR,ENC C SYNC LEVEL | RA8024 |           | NRZ0040-221X | NETWORK RESISTOR 220Ω  |
| VR2402 |           | NVP1415-202X | TRIM RESISTOR,ENC Y SYNC LEVEL | RA8025 |           | NRZ0040-221X | NETWORK RESISTOR 220Ω  |
| RA1501 |           | NRZ0015-471X | NETWORK RESISTOR 470Ω          | RA8026 |           | NRZ0040-221X | NETWORK RESISTOR 220Ω  |
| RA1502 |           | NRZ0015-471X | NETWORK RESISTOR 470Ω          | RA8027 |           | NRZ0040-221X | NETWORK RESISTOR 220Ω  |
| RA1503 |           | NRZ0015-471X | NETWORK RESISTOR 470Ω          | RA8028 |           | NRZ0040-221X | NETWORK RESISTOR 220Ω  |
| RA1504 |           | NRZ0015-471X | NETWORK RESISTOR 470Ω          | RA8029 |           | NRZ0040-181X | NETWORK RESISTOR 180Ω  |
| RA1505 |           | NRZ0015-471X | NETWORK RESISTOR 470Ω          | RA8030 |           | NRZ0040-181X | NETWORK RESISTOR 180Ω  |
| RA1506 |           | NRZ0015-471X | NETWORK RESISTOR 470Ω          | RA8031 |           | NRZ0015-471X | NETWORK RESISTOR 470Ω  |
| RA1507 |           | NRZ0015-471X | NETWORK RESISTOR 470Ω          | RA8032 |           | NRZ0015-471X | NETWORK RESISTOR 470Ω  |
| RA1508 |           | NRZ0015-471X | NETWORK RESISTOR 470Ω          | RA8033 |           | NRZ0015-471X | NETWORK RESISTOR 470Ω  |
| RA1509 |           | NRZ0015-471X | NETWORK RESISTOR 470Ω          | RA8034 |           | NRZ0015-471X | NETWORK RESISTOR 470Ω  |
| RA1510 |           | NRZ0015-471X | NETWORK RESISTOR 470Ω          | RA8035 |           | NRZ0040-221X | NETWORK RESISTOR 220Ω  |
| RA1701 |           | NRZ0015-221X | NETWORK RESISTOR 220Ω          | RA8036 |           | NRZ0040-221X | NETWORK RESISTOR 220Ω  |
| RA1702 |           | NRZ0015-221X | NETWORK RESISTOR 220Ω          | RA8037 |           | NRZ0040-221X | NETWORK RESISTOR 220Ω  |

| #      | △ REF No. | PART No.      | PART NAME, DESCRIPTION |            | #     | △ REF No. | PART No.      | PART NAME, DESCRIPTION |            |
|--------|-----------|---------------|------------------------|------------|-------|-----------|---------------|------------------------|------------|
| RA8038 |           | NRZ0040-221X  | NETWORK RESISTOR       | 220Ω       | C1145 |           | NEA71CM-106X  | E CAPACITOR            | 10μF,16V   |
| RA8039 |           | NRZ0040-181X  | NETWORK RESISTOR       | 180Ω       | C1146 |           | NCB31HK-103X  | CAPACITOR              | 0.01μF,50V |
| RA8040 |           | NRZ0040-181X  | NETWORK RESISTOR       | 180Ω       | C1147 |           | NCB31HK-103X  | CAPACITOR              | 0.01μF,50V |
| RA8041 |           | NRZ0040-181X  | NETWORK RESISTOR       | 180Ω       | C1148 |           | NCB31HK-103X  | CAPACITOR              | 0.01μF,50V |
| RA8042 |           | NRZ0040-181X  | NETWORK RESISTOR       | 180Ω       | C1149 |           | NCB31HK-103X  | CAPACITOR              | 0.01μF,50V |
| RA8043 |           | NRZ0040-181X  | NETWORK RESISTOR       | 180Ω       | C1150 |           | NCB31HK-103X  | CAPACITOR              | 0.01μF,50V |
| RA8044 |           | NRZ0040-181X  | NETWORK RESISTOR       | 180Ω       | C1151 |           | NCB31HK-103X  | CAPACITOR              | 0.01μF,50V |
| RA8045 |           | NRZ0040-221X  | NETWORK RESISTOR       | 220Ω       | C1152 |           | NEA71CM-226X  | E CAPACITOR            | 22μF,16V   |
| RA8046 |           | NRZ0040-221X  | NETWORK RESISTOR       | 220Ω       | C1153 |           | NCB31HK-103X  | CAPACITOR              | 0.01μF,50V |
| RA8047 |           | NRZ0040-221X  | NETWORK RESISTOR       | 220Ω       | C1154 |           | NCB31HK-103X  | CAPACITOR              | 0.01μF,50V |
| RA8048 |           | NRZ0040-221X  | NETWORK RESISTOR       | 220Ω       | C1201 |           | NEA71CM-106X  | E CAPACITOR            | 10μF,16V   |
| RA8049 |           | NRZ0040-221X  | NETWORK RESISTOR       | 220Ω       | C1202 |           | NCB31HK-103X  | CAPACITOR              | 0.01μF,50V |
| RA8050 |           | NRZ0040-221X  | NETWORK RESISTOR       | 220Ω       | C1203 |           | NCB31HK-103X  | CAPACITOR              | 0.01μF,50V |
| RA8051 |           | NRZ0040-221X  | NETWORK RESISTOR       | 220Ω       | C1204 |           | NEA71CM-106X  | E CAPACITOR            | 10μF,16V   |
| RA8052 |           | NRZ0040-221X  | NETWORK RESISTOR       | 220Ω       | C1205 |           | NCB31HK-103X  | CAPACITOR              | 0.01μF,50V |
| RA8053 |           | NRZ0040-221X  | NETWORK RESISTOR       | 220Ω       | C1206 |           | NEA71CM-106X  | E CAPACITOR            | 10μF,16V   |
| RA8055 |           | NRZ0040-221X  | NETWORK RESISTOR       | 220Ω       | C1207 |           | NCB31HK-103X  | CAPACITOR              | 0.01μF,50V |
| RA8056 |           | NRZ0040-181X  | NETWORK RESISTOR       | 180Ω       | C1208 |           | NCB31HK-103X  | CAPACITOR              | 0.01μF,50V |
| RA8057 |           | NRZ0040-221X  | NETWORK RESISTOR       | 220Ω       | C1209 |           | NEA71CM-106X  | E CAPACITOR            | 10μF,16V   |
| RA8058 |           | NRZ0040-101X  | NETWORK RESISTOR       | 100Ω       | C1211 |           | NCB31HK-103X  | CAPACITOR              | 0.01μF,50V |
| C1101  |           | NEA71CM-106X  | E CAPACITOR            | 10μF,16V   | C1212 |           | NCB31HK-103X  | CAPACITOR              | 0.01μF,50V |
| C1102  |           | NCB31HK-103X  | CAPACITOR              | 0.01μF,50V | C1213 |           | NCB31HK-103X  | CAPACITOR              | 0.01μF,50V |
| C1103  |           | NCB31HK-103X  | CAPACITOR              | 0.01μF,50V | C1214 |           | NCB31HK-103X  | CAPACITOR              | 0.01μF,50V |
| C1104  |           | NEA71CM-106X  | E CAPACITOR            | 10μF,16V   | C1215 |           | NCB31HK-103X  | CAPACITOR              | 0.01μF,50V |
| C1105  |           | NCB31HK-103X  | CAPACITOR              | 0.01μF,50V | C1217 |           | NEA71CM-106X  | E CAPACITOR            | 10μF,16V   |
| C1106  |           | NEA71CM-106X  | E CAPACITOR            | 10μF,16V   | C1218 |           | NCB31HK-103X  | CAPACITOR              | 0.01μF,50V |
| C1107  |           | NCB31HK-103X  | CAPACITOR              | 0.01μF,50V | C1219 |           | NDC31HJ-3R0X  | CAPACITOR              | 3pF,50V    |
| C1108  |           | NCB31HK-103X  | CAPACITOR              | 0.01μF,50V | C1220 |           | NCB31HK-103X  | CAPACITOR              | 0.01μF,50V |
| C1109  |           | NEA71CM-106X  | E CAPACITOR            | 10μF,16V   | C1221 |           | NCB31HK-103X  | CAPACITOR              | 0.01μF,50V |
| C1111  |           | NCB31HK-103X  | CAPACITOR              | 0.01μF,50V | C1222 |           | NCB31HK-103X  | CAPACITOR              | 0.01μF,50V |
| C1112  |           | NCB31HK-103X  | CAPACITOR              | 0.01μF,50V | C1223 |           | YU42059-H105Z | NP E CAPACITOR         | 1μF/50V    |
| C1113  |           | NCB31HK-103X  | CAPACITOR              | 0.01μF,50V | C1224 |           | NCB31HK-103X  | CAPACITOR              | 0.01μF,50V |
| C1114  |           | NCB31HK-103X  | CAPACITOR              | 0.01μF,50V | C1225 |           | NDC31HJ-2R0X  | CAPACITOR              | 2pF,50V    |
| C1115  |           | NCB31HK-103X  | CAPACITOR              | 0.01μF,50V | C1226 |           | NCB31HK-103X  | CAPACITOR              | 0.01μF,50V |
| C1117  |           | NEA71CM-106X  | E CAPACITOR            | 10μF,16V   | C1227 |           | NCB31HK-103X  | CAPACITOR              | 0.01μF,50V |
| C1118  |           | NCB31HK-103X  | CAPACITOR              | 0.01μF,50V | C1228 |           | NCB31HK-103X  | CAPACITOR              | 0.01μF,50V |
| C1119  |           | NDC31HJ-3R0X  | CAPACITOR              | 3pF,50V    | C1229 |           | YU42059-H105Z | NP E CAPACITOR         | 1μF/50V    |
| C1120  |           | NCB31HK-103X  | CAPACITOR              | 0.01μF,50V | C1230 |           | NEA70JM-107X  | E CAPACITOR            | 100μF,6.3V |
| C1121  |           | NCB31HK-103X  | CAPACITOR              | 0.01μF,50V | C1231 |           | NCB31HK-103X  | CAPACITOR              | 0.01μF,50V |
| C1122  |           | NCB31HK-103X  | CAPACITOR              | 0.01μF,50V | C1232 |           | NCB31HK-103X  | CAPACITOR              | 0.01μF,50V |
| C1123  |           | YU42059-H105Z | NP E CAPACITOR         | 1μF/50V    | C1233 |           | NCF31EZ-104X  | CAPACITOR              | 0.1μF,25V  |
| C1124  |           | NCB31HK-103X  | CAPACITOR              | 0.01μF,50V | C1234 |           | NEA70JM-107X  | E CAPACITOR            | 100μF,6.3V |
| C1125  |           | NDC31HJ-2R0X  | CAPACITOR              | 2pF,50V    | C1235 |           | NCB31HK-103X  | CAPACITOR              | 0.01μF,50V |
| C1126  |           | NCB31HK-103X  | CAPACITOR              | 0.01μF,50V | C1236 |           | NDC31HJ-270X  | CAPACITOR              | 27pF,50V   |
| C1127  |           | NCB31HK-103X  | CAPACITOR              | 0.01μF,50V | C1238 |           | NCF31EZ-104X  | CAPACITOR              | 0.1μF,25V  |
| C1128  |           | NCB31HK-103X  | CAPACITOR              | 0.01μF,50V | C1239 |           | NCB31HK-103X  | CAPACITOR              | 0.01μF,50V |
| C1129  |           | YU42059-H105Z | NP E CAPACITOR         | 1μF/50V    | C1240 |           | NEA71CM-226X  | E CAPACITOR            | 22μF,16V   |
| C1130  |           | NEA70JM-107X  | E CAPACITOR            | 100μF,6.3V | C1241 |           | NEA71CM-226X  | E CAPACITOR            | 22μF,16V   |
| C1131  |           | NCB31HK-103X  | CAPACITOR              | 0.01μF,50V | C1242 |           | NCB31HK-103X  | CAPACITOR              | 0.01μF,50V |
| C1132  |           | NCB31HK-103X  | CAPACITOR              | 0.01μF,50V | C1243 |           | NCB31HK-103X  | CAPACITOR              | 0.01μF,50V |
| C1133  |           | NCF31EZ-104X  | CAPACITOR              | 0.1μF,25V  | C1244 |           | NEA71CM-106X  | E CAPACITOR            | 10μF,16V   |
| C1134  |           | NEA70JM-107X  | E CAPACITOR            | 100μF,6.3V | C1245 |           | NEA71CM-106X  | E CAPACITOR            | 10μF,16V   |
| C1135  |           | NCB31HK-103X  | CAPACITOR              | 0.01μF,50V | C1246 |           | NCB31HK-103X  | CAPACITOR              | 0.01μF,50V |
| C1136  |           | NDC31HJ-270X  | CAPACITOR              | 27pF,50V   | C1247 |           | NCB31HK-103X  | CAPACITOR              | 0.01μF,50V |
| C1138  |           | NCF31EZ-104X  | CAPACITOR              | 0.1μF,25V  | C1248 |           | NCB31HK-103X  | CAPACITOR              | 0.01μF,50V |
| C1139  |           | NCB31HK-103X  | CAPACITOR              | 0.01μF,50V | C1249 |           | NCB31HK-103X  | CAPACITOR              | 0.01μF,50V |
| C1140  |           | NEA71CM-226X  | E CAPACITOR            | 22μF,16V   | C1250 |           | NCB31HK-103X  | CAPACITOR              | 0.01μF,50V |
| C1141  |           | NEA71CM-226X  | E CAPACITOR            | 22μF,16V   | C1251 |           | NCB31HK-103X  | CAPACITOR              | 0.01μF,50V |
| C1142  |           | NCB31HK-103X  | CAPACITOR              | 0.01μF,50V | C1252 |           | NEA71CM-226X  | E CAPACITOR            | 22μF,16V   |
| C1143  |           | NCB31HK-103X  | CAPACITOR              | 0.01μF,50V | C1253 |           | NCB31HK-103X  | CAPACITOR              | 0.01μF,50V |
| C1144  |           | NEA71CM-106X  | E CAPACITOR            | 10μF,16V   | C1254 |           | NCB31HK-103X  | CAPACITOR              | 0.01μF,50V |

| #     | △ REF No. | PART No.      | PART NAME, DESCRIPTION | #     | △ REF No. | PART No.      | PART NAME, DESCRIPTION |
|-------|-----------|---------------|------------------------|-------|-----------|---------------|------------------------|
| C1301 |           | NEA71CM-106X  | E CAPACITOR 10μF,16V   | C1410 |           | NCB31HK-103X  | CAPACITOR 0.01μF,50V   |
| C1302 |           | NCB31HK-103X  | CAPACITOR 0.01μF,50V   | C1411 |           | NCB31HK-103X  | CAPACITOR 0.01μF,50V   |
| C1303 |           | NCB31HK-103X  | CAPACITOR 0.01μF,50V   | C1412 |           | NCB31HK-103X  | CAPACITOR 0.01μF,50V   |
| C1304 |           | NEA71CM-106X  | E CAPACITOR 10μF,16V   | C1413 |           | NCB31HK-103X  | CAPACITOR 0.01μF,50V   |
| C1305 |           | NCB31HK-103X  | CAPACITOR 0.01μF,50V   | C1414 |           | NCB31HK-103X  | CAPACITOR 0.01μF,50V   |
| C1306 |           | NEA71CM-106X  | E CAPACITOR 10μF,16V   | C1415 |           | NCB31HK-103X  | CAPACITOR 0.01μF,50V   |
| C1307 |           | NCB31HK-103X  | CAPACITOR 0.01μF,50V   | C1417 |           | NEA71CM-106X  | E CAPACITOR 10μF,16V   |
| C1308 |           | NCB31HK-103X  | CAPACITOR 0.01μF,50V   | C1418 |           | NCB31HK-103X  | CAPACITOR 0.01μF,50V   |
| C1309 |           | NEA71CM-106X  | E CAPACITOR 10μF,16V   | C1419 |           | NDC31HJ-5R0X  | CAPACITOR 5pF,50V      |
| C1311 |           | NCB31HK-103X  | CAPACITOR 0.01μF,50V   | C1420 |           | NCB31HK-103X  | CAPACITOR 0.01μF,50V   |
| C1312 |           | NCB31HK-103X  | CAPACITOR 0.01μF,50V   | C1421 |           | NCB31HK-103X  | CAPACITOR 0.01μF,50V   |
| C1313 |           | NCB31HK-103X  | CAPACITOR 0.01μF,50V   | C1422 |           | NCB31HK-103X  | CAPACITOR 0.01μF,50V   |
| C1314 |           | NCB31HK-103X  | CAPACITOR 0.01μF,50V   | C1423 |           | YU42059-H105Z | NP E CAPACITOR 1μF/50V |
| C1315 |           | NCB31HK-103X  | CAPACITOR 0.01μF,50V   | C1424 |           | NCB31HK-103X  | CAPACITOR 0.01μF,50V   |
| C1317 |           | NEA71CM-106X  | E CAPACITOR 10μF,16V   | C1425 |           | NDC31HJ-3R0X  | CAPACITOR 3pF,50V      |
| C1318 |           | NCB31HK-103X  | CAPACITOR 0.01μF,50V   | C1426 |           | NCB31HK-103X  | CAPACITOR 0.01μF,50V   |
| C1319 |           | NDC31HJ-5R0X  | CAPACITOR 5pF,50V      | C1427 |           | NCB31HK-103X  | CAPACITOR 0.01μF,50V   |
| C1320 |           | NCB31HK-103X  | CAPACITOR 0.01μF,50V   | C1428 |           | NCB31HK-103X  | CAPACITOR 0.01μF,50V   |
| C1321 |           | NCB31HK-103X  | CAPACITOR 0.01μF,50V   | C1429 |           | YU42059-H105Z | NP E CAPACITOR 1μF/50V |
| C1322 |           | NCB31HK-103X  | CAPACITOR 0.01μF,50V   | C1430 |           | NEA70JM-107X  | E CAPACITOR 100μF,6.3V |
| C1323 |           | YU42059-H105Z | NP E CAPACITOR 1μF/50V | C1431 |           | NCB31HK-103X  | CAPACITOR 0.01μF,50V   |
| C1324 |           | NCB31HK-103X  | CAPACITOR 0.01μF,50V   | C1432 |           | NCB31HK-103X  | CAPACITOR 0.01μF,50V   |
| C1325 |           | NDC31HJ-3R0X  | CAPACITOR 3pF,50V      | C1433 |           | NCF31EZ-104X  | CAPACITOR 0.1μF,25V    |
| C1326 |           | NCB31HK-103X  | CAPACITOR 0.01μF,50V   | C1434 |           | NEA70JM-107X  | E CAPACITOR 100μF,6.3V |
| C1327 |           | NCB31HK-103X  | CAPACITOR 0.01μF,50V   | C1435 |           | NCB31HK-103X  | CAPACITOR 0.01μF,50V   |
| C1328 |           | NCB31HK-103X  | CAPACITOR 0.01μF,50V   | C1436 |           | NDC31HJ-270X  | CAPACITOR 27pF,50V     |
| C1329 |           | YU42059-H105Z | NP E CAPACITOR 1μF/50V | C1437 |           | NEA71CM-106X  | E CAPACITOR 10μF,16V   |
| C1330 |           | NEA70JM-107X  | E CAPACITOR 100μF,6.3V | C1438 |           | NCF31EZ-104X  | CAPACITOR 0.1μF,25V    |
| C1331 |           | NCB31HK-103X  | CAPACITOR 0.01μF,50V   | C1439 |           | NCB31HK-103X  | CAPACITOR 0.01μF,50V   |
| C1332 |           | NCB31HK-103X  | CAPACITOR 0.01μF,50V   | C1440 |           | NEA71CM-226X  | E CAPACITOR 22μF,16V   |
| C1333 |           | NCF31EZ-104X  | CAPACITOR 0.1μF,25V    | C1441 |           | NEA71CM-226X  | E CAPACITOR 22μF,16V   |
| C1334 |           | NEA70JM-107X  | E CAPACITOR 100μF,6.3V | C1442 |           | NCB31HK-103X  | CAPACITOR 0.01μF,50V   |
| C1335 |           | NCB31HK-103X  | CAPACITOR 0.01μF,50V   | C1443 |           | NCB31HK-103X  | CAPACITOR 0.01μF,50V   |
| C1336 |           | NDC31HJ-270X  | CAPACITOR 27pF,50V     | C1444 |           | NEA71CM-106X  | E CAPACITOR 10μF,16V   |
| C1337 |           | NEA71CM-106X  | E CAPACITOR 10μF,16V   | C1445 |           | NEA71CM-106X  | E CAPACITOR 10μF,16V   |
| C1338 |           | NCF31EZ-104X  | CAPACITOR 0.1μF,25V    | C1446 |           | NCB31HK-103X  | CAPACITOR 0.01μF,50V   |
| C1339 |           | NCB31HK-103X  | CAPACITOR 0.01μF,50V   | C1447 |           | NCB31HK-103X  | CAPACITOR 0.01μF,50V   |
| C1340 |           | NEA71CM-226X  | E CAPACITOR 22μF,16V   | C1448 |           | NCB31HK-103X  | CAPACITOR 0.01μF,50V   |
| C1341 |           | NEA71CM-226X  | E CAPACITOR 22μF,16V   | C1449 |           | NCB31HK-103X  | CAPACITOR 0.01μF,50V   |
| C1342 |           | NCB31HK-103X  | CAPACITOR 0.01μF,50V   | C1450 |           | NCB31HK-103X  | CAPACITOR 0.01μF,50V   |
| C1343 |           | NCB31HK-103X  | CAPACITOR 0.01μF,50V   | C1451 |           | NCB31HK-103X  | CAPACITOR 0.01μF,50V   |
| C1344 |           | NEA71CM-106X  | E CAPACITOR 10μF,16V   | C1452 |           | NEA71CM-226X  | E CAPACITOR 22μF,16V   |
| C1345 |           | NEA71CM-106X  | E CAPACITOR 10μF,16V   | C1453 |           | NCB31HK-103X  | CAPACITOR 0.01μF,50V   |
| C1346 |           | NCB31HK-103X  | CAPACITOR 0.01μF,50V   | C1454 |           | NCB31HK-103X  | CAPACITOR 0.01μF,50V   |
| C1347 |           | NCB31HK-103X  | CAPACITOR 0.01μF,50V   | C1501 |           | NEA71CM-106X  | E CAPACITOR 10μF,16V   |
| C1348 |           | NCB31HK-103X  | CAPACITOR 0.01μF,50V   | C1502 |           | YU42059-C106Z | E CAPACITOR 1μF/16V    |
| C1349 |           | NCB31HK-103X  | CAPACITOR 0.01μF,50V   | C1539 |           | NCB31HK-103X  | CAPACITOR 0.01μF,50V   |
| C1350 |           | NCB31HK-103X  | CAPACITOR 0.01μF,50V   | C1540 |           | NCB31HK-103X  | CAPACITOR 0.01μF,50V   |
| C1351 |           | NCB31HK-103X  | CAPACITOR 0.01μF,50V   | C1541 |           | NCB31HK-103X  | CAPACITOR 0.01μF,50V   |
| C1352 |           | NEA71CM-226X  | E CAPACITOR 22μF,16V   | C1542 |           | NCF31EZ-104X  | CAPACITOR 0.1μF,25V    |
| C1353 |           | NCB31HK-103X  | CAPACITOR 0.01μF,50V   | C1543 |           | NCB31HK-103X  | CAPACITOR 0.01μF,50V   |
| C1354 |           | NCB31HK-103X  | CAPACITOR 0.01μF,50V   | C1546 |           | NCB31HK-103X  | CAPACITOR 0.01μF,50V   |
| C1401 |           | NEA71CM-106X  | E CAPACITOR 10μF,16V   | C1548 |           | NCB31HK-103X  | CAPACITOR 0.01μF,50V   |
| C1402 |           | NCB31HK-103X  | CAPACITOR 0.01μF,50V   | C1549 |           | NCB31HK-103X  | CAPACITOR 0.01μF,50V   |
| C1403 |           | NCB31HK-103X  | CAPACITOR 0.01μF,50V   | C1550 |           | NCB31HK-103X  | CAPACITOR 0.01μF,50V   |
| C1404 |           | NEA71CM-106X  | E CAPACITOR 10μF,16V   | C1551 |           | NCB31HK-103X  | CAPACITOR 0.01μF,50V   |
| C1405 |           | NCB31HK-103X  | CAPACITOR 0.01μF,50V   | C1552 |           | NCB31HK-103X  | CAPACITOR 0.01μF,50V   |
| C1406 |           | NEA71CM-106X  | E CAPACITOR 10μF,16V   | C1553 |           | NDC31HJ-331X  | CAPACITOR 330pF,50V    |
| C1407 |           | NCB31HK-103X  | CAPACITOR 0.01μF,50V   | C1554 |           | NCB31HK-103X  | CAPACITOR 0.01μF,50V   |
| C1408 |           | NCB31HK-103X  | CAPACITOR 0.01μF,50V   | C1555 |           | NDC31HJ-151X  | CAPACITOR 150pF,50V    |
| C1409 |           | NEA71CM-106X  | E CAPACITOR 10μF,16V   | C1556 |           | YU42059-H105Z | NP E CAPACITOR 1μF/50V |

| #     | △ REF No.     | PART No.       | PART NAME, DESCRIPTION | #     | △ REF No.    | PART No.    | PART NAME, DESCRIPTION |
|-------|---------------|----------------|------------------------|-------|--------------|-------------|------------------------|
| C1557 | NCB31HK-103X  | CAPACITOR      | 0.01μF,50V             | C1713 | NCB31HK-103X | CAPACITOR   | 0.01μF,50V             |
| C1558 | NCB31HK-103X  | CAPACITOR      | 0.01μF,50V             | C1714 | NCB31HK-103X | CAPACITOR   | 0.01μF,50V             |
| C1559 | NCB31HK-103X  | CAPACITOR      | 0.01μF,50V             | C1715 | NCB31HK-103X | CAPACITOR   | 0.01μF,50V             |
| C1560 | NEA71CM-106X  | E CAPACITOR    | 10μF,16V               | C1716 | NCB31HK-103X | CAPACITOR   | 0.01μF,50V             |
| C1561 | NEA71CM-106X  | E CAPACITOR    | 10μF,16V               | C1717 | NCB31HK-103X | CAPACITOR   | 0.01μF,50V             |
| C1562 | NCB31HK-103X  | CAPACITOR      | 0.01μF,50V             | C1718 | NCB31HK-103X | CAPACITOR   | 0.01μF,50V             |
| C1563 | NCB31HK-103X  | CAPACITOR      | 0.01μF,50V             | C1719 | NCB31HK-103X | CAPACITOR   | 0.01μF,50V             |
| C1564 | NCB31HK-103X  | CAPACITOR      | 0.01μF,50V             | C1720 | NBE71AM-336X | T CAPACITOR | 33μF,10V               |
| C1565 | NEA71CM-106X  | E CAPACITOR    | 10μF,16V               | C1721 | NCB31HK-103X | CAPACITOR   | 0.01μF,50V             |
| C1566 | NEA71CM-106X  | E CAPACITOR    | 10μF,16V               | C1722 | NCB31HK-103X | CAPACITOR   | 0.01μF,50V             |
| C1567 | NCB31HK-103X  | CAPACITOR      | 0.01μF,50V             | C1723 | NCB31HK-103X | CAPACITOR   | 0.01μF,50V             |
| C1568 | NCB31HK-103X  | CAPACITOR      | 0.01μF,50V             | C1724 | NCB31HK-103X | CAPACITOR   | 0.01μF,50V             |
| C1571 | NCB31HK-103X  | CAPACITOR      | 0.01μF,50V             | C1725 | NCB31HK-103X | CAPACITOR   | 0.01μF,50V             |
| C1572 | NCB31HK-103X  | CAPACITOR      | 0.01μF,50V             | C1726 | NCB31HK-103X | CAPACITOR   | 0.01μF,50V             |
| C1573 | NEA71CM-106X  | E CAPACITOR    | 10μF,16V               | C1727 | NCB31HK-103X | CAPACITOR   | 0.01μF,50V             |
| C1574 | NCB31HK-103X  | CAPACITOR      | 0.01μF,50V             | C1728 | NCB31HK-103X | CAPACITOR   | 0.01μF,50V             |
| C1575 | NCB31HK-103X  | CAPACITOR      | 0.01μF,50V             | C1729 | NCB31HK-103X | CAPACITOR   | 0.01μF,50V             |
| C1576 | NCB31HK-103X  | CAPACITOR      | 0.01μF,50V             | C1730 | NCB31HK-103X | CAPACITOR   | 0.01μF,50V             |
| C1577 | NCB31HK-103X  | CAPACITOR      | 0.01μF,50V             | C1731 | NCB31HK-103X | CAPACITOR   | 0.01μF,50V             |
| C1578 | NCB31HK-103X  | CAPACITOR      | 0.01μF,50V             | C1732 | NCB31HK-103X | CAPACITOR   | 0.01μF,50V             |
| C1579 | NDC31HJ-221X  | CAPACITOR      | 220pF,50V              | C1733 | NCB31HK-103X | CAPACITOR   | 0.01μF,50V             |
| C1580 | NCB31HK-103X  | CAPACITOR      | 0.01μF,50V             | C1734 | NCB31HK-103X | CAPACITOR   | 0.01μF,50V             |
| C1581 | NCB31HK-103X  | CAPACITOR      | 0.01μF,50V             | C1735 | NCB31HK-103X | CAPACITOR   | 0.01μF,50V             |
| C1582 | NDC31HJ-120X  | CAPACITOR      | 12pF,50V               | C1736 | NCB31HK-103X | CAPACITOR   | 0.01μF,50V             |
| C1583 | NCB31HK-103X  | CAPACITOR      | 0.01μF,50V             | C1737 | NCB31HK-103X | CAPACITOR   | 0.01μF,50V             |
| C1584 | YU42059-H105Z | NP E CAPACITOR | 1μF/50V                | C1738 | NCB31HK-103X | CAPACITOR   | 0.01μF,50V             |
| C1585 | NCF31HZ-473X  | CAPACITOR      | 0.047μF,50V            | C1739 | NCB31HK-103X | CAPACITOR   | 0.01μF,50V             |
| C1586 | NCB31HK-103X  | CAPACITOR      | 0.01μF,50V             | C1740 | NCB31HK-103X | CAPACITOR   | 0.01μF,50V             |
| C1587 | NCB31HK-103X  | CAPACITOR      | 0.01μF,50V             | C1741 | NCB31HK-103X | CAPACITOR   | 0.01μF,50V             |
| C1588 | NCB31HK-103X  | CAPACITOR      | 0.01μF,50V             | C1742 | NBE21AM-335X | T CAPACITOR | 3.3μF,10V              |
| C1589 | NCB31HK-103X  | CAPACITOR      | 0.01μF,50V             | C1743 | NCB31HK-103X | CAPACITOR   | 0.01μF,50V             |
| C1590 | NCB31HK-103X  | CAPACITOR      | 0.01μF,50V             | C1744 | NCB31HK-103X | CAPACITOR   | 0.01μF,50V             |
| C1591 | NCB31HK-103X  | CAPACITOR      | 0.01μF,50V             | C1745 | NCB31HK-103X | CAPACITOR   | 0.01μF,50V             |
| C1592 | NCB31HK-103X  | CAPACITOR      | 0.01μF,50V             | C1746 | NCB31HK-332X | CAPACITOR   | 0.0033μF,50V           |
| C1593 | NEA71CM-106X  | E CAPACITOR    | 10μF,16V               | C1747 | NCB31HK-103X | CAPACITOR   | 0.01μF,50V             |
| C1594 | NCF31HZ-333X  | CAPACITOR      | 0.033μF,50V            | C1748 | NCB31HK-103X | CAPACITOR   | 0.01μF,50V             |
| C1595 | NCB31HK-103X  | CAPACITOR      | 0.01μF,50V             | C1749 | NBP41CM-106X | T CAPACITOR | 10μF,16V               |
| C1596 | NCB31HK-103X  | CAPACITOR      | 0.01μF,50V             | C1750 | NCB31HK-103X | CAPACITOR   | 0.01μF,50V             |
| C1597 | NCB31HK-103X  | CAPACITOR      | 0.01μF,50V             | C1751 | NCB31HK-103X | CAPACITOR   | 0.01μF,50V             |
| C1598 | NEA71CM-106X  | E CAPACITOR    | 10μF,16V               | C1752 | NCB31HK-103X | CAPACITOR   | 0.01μF,50V             |
| C1599 | NEA71CM-106X  | E CAPACITOR    | 10μF,16V               | C1753 | NCB31HK-103X | CAPACITOR   | 0.01μF,50V             |
| C1602 | QETNOJM-108   | E CAPACITOR    | 1000μF,6.3V            | C1754 | NCB31HK-103X | CAPACITOR   | 0.01μF,50V             |
| C1603 | QETNOJM-108   | E CAPACITOR    | 1000μF,6.3V            | C1755 | NBP71CM-336X | T CAPACITOR | 33μF,16V               |
| C1604 | NCB31HK-103X  | CAPACITOR      | 0.01μF,50V             | C1756 | NCB31HK-103X | CAPACITOR   | 0.01μF,50V             |
| C1605 | NCB31HK-103X  | CAPACITOR      | 0.01μF,50V             | C1757 | NCB31HK-103X | CAPACITOR   | 0.01μF,50V             |
| C1606 | NCB31HK-103X  | CAPACITOR      | 0.01μF,50V             | C1758 | NBP71CM-336X | T CAPACITOR | 33μF,16V               |
| C1607 | NCB31HK-103X  | CAPACITOR      | 0.01μF,50V             | C1759 | NCB31HK-103X | CAPACITOR   | 0.01μF,50V             |
| C1608 | NCB31HK-103X  | CAPACITOR      | 0.01μF,50V             | C1760 | NCB31HK-103X | CAPACITOR   | 0.01μF,50V             |
| C1609 | YU42059-C106Z | E CAPACITOR    | 1μF/16V                | C1761 | NBP71CM-336X | T CAPACITOR | 33μF,16V               |
| C1701 | NCB31HK-103X  | CAPACITOR      | 0.01μF,50V             | C1762 | NCB31HK-103X | CAPACITOR   | 0.01μF,50V             |
| C1702 | NCB31HK-103X  | CAPACITOR      | 0.01μF,50V             | C1763 | NCB31HK-103X | CAPACITOR   | 0.01μF,50V             |
| C1703 | NCB31HK-103X  | CAPACITOR      | 0.01μF,50V             | C1764 | NBP71CM-336X | T CAPACITOR | 33μF,16V               |
| C1704 | NCB31HK-103X  | CAPACITOR      | 0.01μF,50V             | C1765 | NCB31HK-103X | CAPACITOR   | 0.01μF,50V             |
| C1705 | NCB31HK-103X  | CAPACITOR      | 0.01μF,50V             | C1766 | NCB31HK-103X | CAPACITOR   | 0.01μF,50V             |
| C1706 | NCB31HK-103X  | CAPACITOR      | 0.01μF,50V             | C1767 | NCB31HK-103X | CAPACITOR   | 0.01μF,50V             |
| C1707 | NCB31HK-103X  | CAPACITOR      | 0.01μF,50V             | C1768 | NCB31HK-103X | CAPACITOR   | 0.01μF,50V             |
| C1708 | NCB31HK-103X  | CAPACITOR      | 0.01μF,50V             | C1769 | NCB31HK-103X | CAPACITOR   | 0.01μF,50V             |
| C1709 | NCB31HK-103X  | CAPACITOR      | 0.01μF,50V             | C1770 | NCB31HK-103X | CAPACITOR   | 0.01μF,50V             |
| C1710 | NCB31HK-103X  | CAPACITOR      | 0.01μF,50V             | C1771 | NCB31HK-103X | CAPACITOR   | 0.01μF,50V             |
| C1711 | NCB31HK-103X  | CAPACITOR      | 0.01μF,50V             | C1772 | NCB31HK-103X | CAPACITOR   | 0.01μF,50V             |
| C1712 | NCB31HK-103X  | CAPACITOR      | 0.01μF,50V             | C1773 | NCB31HK-103X | CAPACITOR   | 0.01μF,50V             |



| #      | △ REF No. | PART No.      | PART NAME, DESCRIPTION |
|--------|-----------|---------------|------------------------|
| C2233  |           | NCB31HK-103X  | CAPACITOR 0.01μF,50V   |
| C2237  |           | NEA70JM-107X  | E CAPACITOR 100μF,6.3V |
| C2238  |           | NCB31HK-103X  | CAPACITOR 0.01μF,50V   |
| C2239  |           | NEA70JM-107X  | E CAPACITOR 100μF,6.3V |
| C2240  |           | NCB31HK-103X  | CAPACITOR 0.01μF,50V   |
| C2241  |           | NEA70JM-107X  | E CAPACITOR 100μF,6.3V |
| C2301  |           | NEA71CM-106X  | E CAPACITOR 10μF,16V   |
| C2302  |           | NCB31HK-103X  | CAPACITOR 0.01μF,50V   |
| C2303  |           | NEA71CM-106X  | E CAPACITOR 10μF,16V   |
| C2304  |           | NCB31HK-103X  | CAPACITOR 0.01μF,50V   |
| C2307  |           | NCB31HK-103X  | CAPACITOR 0.01μF,50V   |
| C2308  |           | NCB31HK-103X  | CAPACITOR 0.01μF,50V   |
| C2324  |           | NEA71CM-106X  | E CAPACITOR 10μF,16V   |
| C2325  |           | NCB31HK-103X  | CAPACITOR 0.01μF,50V   |
| C2326  |           | NCB31HK-103X  | CAPACITOR 0.01μF,50V   |
| C2327  |           | NEA71CM-106X  | E CAPACITOR 10μF,16V   |
| C2328  |           | NEA71CM-106X  | E CAPACITOR 10μF,16V   |
| C2329  |           | NCB31HK-103X  | CAPACITOR 0.01μF,50V   |
| C2330  |           | NCB31HK-103X  | CAPACITOR 0.01μF,50V   |
| C2331  |           | NEA71CM-106X  | E CAPACITOR 10μF,16V   |
| C2332  |           | NCB31HK-103X  | CAPACITOR 0.01μF,50V   |
| C2333  |           | NCB31HK-103X  | CAPACITOR 0.01μF,50V   |
| C2337  |           | NEA70JM-107X  | E CAPACITOR 100μF,6.3V |
| C2338  |           | NCB31HK-103X  | CAPACITOR 0.01μF,50V   |
| C2339  |           | NEA70JM-107X  | E CAPACITOR 100μF,6.3V |
| C2340  |           | NCB31HK-103X  | CAPACITOR 0.01μF,50V   |
| C2341  |           | NEA70JM-107X  | E CAPACITOR 100μF,6.3V |
| C2401  |           | NDC31HJ-100X  | CAPACITOR 10pF,50V     |
| C2402  |           | NDC31HJ-100X  | CAPACITOR 10pF,50V     |
| C2403  |           | NEA71CM-106X  | E CAPACITOR 10μF,16V   |
| C2404  |           | NCB31HK-103X  | CAPACITOR 0.01μF,50V   |
| C2405  |           | NEA71CM-106X  | E CAPACITOR 10μF,16V   |
| C2406  |           | NCB31HK-103X  | CAPACITOR 0.01μF,50V   |
| C2407  |           | NCB31HK-103X  | CAPACITOR 0.01μF,50V   |
| C2408  |           | NEA70JM-107X  | E CAPACITOR 100μF,6.3V |
| C2409  |           | NEA70JM-107X  | E CAPACITOR 100μF,6.3V |
| C2410  |           | NEA70JM-107X  | E CAPACITOR 100μF,6.3V |
| C2442  |           | NCB31HK-103X  | CAPACITOR 0.01μF,50V   |
| C2447  |           | NEA70JM-107X  | E CAPACITOR 100μF,6.3V |
| C2448  |           | NEA70JM-107X  | E CAPACITOR 100μF,6.3V |
| C2449  |           | QETC0JM-477   | E CAPACITOR 470μF,6.3V |
| C2450  |           | QETC0JM-477   | E CAPACITOR 470μF,6.3V |
| C2451  |           | NEA70JM-107X  | E CAPACITOR 100μF,6.3V |
| C2452  |           | NEA70JM-107X  | E CAPACITOR 100μF,6.3V |
| L8001  |           | PELN0968-080Y | NOISE FILTER           |
| L8002  |           | PELN0968-080Y | NOISE FILTER           |
| L8003  |           | PELN0968-080Y | NOISE FILTER           |
| L8004  |           | PELN0968-080Y | NOISE FILTER           |
| L8005  |           | PELN0968-080Y | NOISE FILTER           |
| L8006  |           | PELN0968-080Y | NOISE FILTER           |
| L8007  |           | PELN0968-080Y | NOISE FILTER           |
| L8008  |           | PELN0968-080Y | NOISE FILTER           |
| L8009  |           | PELN0968-080Y | NOISE FILTER           |
| L8010  |           | PELN0968-080Y | NOISE FILTER           |
| L8011  |           | PELN0968-080Y | NOISE FILTER           |
| L8012  |           | PELN0968-080Y | NOISE FILTER           |
| L8013  |           | PELN0968-080Y | NOISE FILTER           |
| L8014  |           | PELN0968-080Y | NOISE FILTER           |
| LC1501 |           | NQR0194-001X  | NOISE FILTER           |
| LC1502 |           | NQR0194-001X  | NOISE FILTER           |
| LC1701 |           | NQR0194-001X  | NOISE FILTER           |

| #       | △ REF No. | PART No.        | PART NAME, DESCRIPTION |
|---------|-----------|-----------------|------------------------|
| LC1702  |           | NQR0194-001X    | NOISE FILTER           |
| LC1703  |           | NQR0194-001X    | NOISE FILTER           |
| LC1704  |           | NQR0194-001X    | NOISE FILTER           |
| LC1705  |           | NQR0194-001X    | NOISE FILTER           |
| LC1707  |           | NQR0194-001X    | NOISE FILTER           |
| LC1708  |           | NQR0194-001X    | NOISE FILTER           |
| LC1709  |           | NQR0194-001X    | NOISE FILTER           |
| LC1710  |           | NQR0194-001X    | NOISE FILTER           |
| LC1711  |           | NQR0194-001X    | NOISE FILTER           |
| LC1712  |           | NQR0194-001X    | NOISE FILTER           |
| LC1713  |           | NQR0194-001X    | NOISE FILTER           |
| LC1714  |           | NQR0194-001X    | NOISE FILTER           |
| LC2401  |           | NQR0194-001X    | NOISE FILTER           |
| LC2402  |           | NQR0194-001X    | NOISE FILTER           |
| LC2403  |           | NQR0194-001X    | NOISE FILTER           |
| X1701   |           | QAX0313-001     | CRYSTAL RESONATOR      |
| X1702   |           | NAX0005-001X    | CRYSTAL RESONATOR      |
| SW1701  |           | NSW0007-001X    | PUSH SWITCH            |
| SW1702  |           | NSW0048-001X    | ROTARY SWITCH          |
| SW1703  |           | NSW0048-001X    | ROTARY SWITCH          |
| SW1704  |           | NSW0022-004X    | DIP SWITCH             |
| SW1705  |           | NSW0022-004X    | DIP SWITCH             |
| SW1706  |           | NSW0016-002X    | ROTARY SWITCH          |
| SW1707  |           | NSW0048-001X    | ROTARY SWITCH          |
| SW1708  |           | NSW0016-002X    | ROTARY SWITCH          |
| SW1709  |           | NSW0016-002X    | ROTARY SWITCH          |
| SW1710  |           | NSW0048-001X    | ROTARY SWITCH          |
| SW1711  |           | NSW0048-001X    | ROTARY SWITCH          |
| SW1712  |           | NSW0048-001X    | ROTARY SWITCH          |
| CN15    |           | QGA2001F2-06V   | CONNECTOR              |
| CN16    |           | QGA2001F2-08V   | CONNECTOR              |
| CN22    |           | QGA2001F2-03V   | CONNECTOR              |
| CN23    |           | QGA2001F2-03V   | CONNECTOR              |
| CN24    |           | QGF1019C1-20X   | FPC CONNECTOR          |
| CN25    |           | QGF1019C1-20X   | FPC CONNECTOR          |
| CN26    |           | QGF1019C1-20X   | FPC CONNECTOR          |
| CN27    |           | QGA2001F2-06V   | CONNECTOR              |
| CN28    |           | QGA2001F2-06V   | CONNECTOR              |
| CN29    |           | QGA2001F2-06V   | CONNECTOR              |
| CN113   |           | QGF1004F2-20X   | FPC CONNECTOR          |
| CN114   |           | QGF1004F2-12X   | FPC CONNECTOR          |
| CN118   |           | QGA2001F2-07V   | CONNECTOR              |
| CN119   |           | QGA2001F2-05V   | CONNECTOR              |
| CN131   |           | QGA2001F2-06V   | CONNECTOR              |
| CN702   |           | QGA2001F2-05V   | CONNECTOR              |
| △ F1302 |           | NMFZ005-R125XJ1 | FUSE T0.12A            |
| F2101   |           | NQR0255-001X    | LOW PASS FILTER        |
| F2201   |           | NQR0254-001X    | LOW PASS FILTER        |
| F2301   |           | NQR0254-001X    | LOW PASS FILTER        |

\*\*\*\*\*

**POWER BOARD ASSEMBLY <02>**

|      |              |                        |
|------|--------------|------------------------|
| PW   | YB10204D     | POWER BOARD ASSY       |
| Q901 | 2SB766(RS)   | TRANSISTOR             |
| Q902 | 2SD874A(S)   | TRANSISTOR             |
| R901 | NRSA63J-123X | MG RESISTOR 12kΩ,1/16W |



| #     | △ REF No. | PART No.     | PART NAME, DESCRIPTION | #            | △ REF No. | PART No.        | PART NAME, DESCRIPTION   |
|-------|-----------|--------------|------------------------|--------------|-----------|-----------------|--------------------------|
| R902  |           | NRSA63J-102X | MG RESISTOR            | 1kΩ, 1/16W   | DD902     | QAL0039-001     | DC-DC CONVERTER          |
| R903  |           | NRSA63J-392X | MG RESISTOR            | 3.9kΩ, 1/16W | DD903     | NAL0002-001X    | DC-DC CONVERTER          |
| R904  |           | NRSA63J-153X | MG RESISTOR            | 15kΩ, 1/16W  | DD904     | NAL0004-001X    | DC-DC CONVERTER          |
| R905  |           | NRSA63J-0R0X | MG RESISTOR            | 0Ω, 1/16W    | DD905     | NAL0003-001X    | DC-DC CONVERTER          |
| R906  |           | NRSA63J-220X | MG RESISTOR            | 22Ω, 1/16W   | △ FC1     | QNG0006-001Z    | FUSE CLIP                |
| R907  |           | NRSA63J-222X | MG RESISTOR            | 2.2kΩ, 1/16W | ML19      | QUB460-04A2A2   | SIN TWIST WIRE           |
| R908  |           | NRSA63J-222X | MG RESISTOR            | 2.2kΩ, 1/16W | ML20      | QUB462-04A2A2   | SIN TWIST WIRE           |
| R909  |           | NRSA63J-222X | MG RESISTOR            | 2.2kΩ, 1/16W | CN11      | QGA2001C1-02    | CONNECTOR                |
| R910  |           | NRSA63J-222X | MG RESISTOR            | 2.2kΩ, 1/16W | CN12      | QGA2001C1-04    | CONNECTOR                |
| C901  |           | NCB31HK-103X | CAPACITOR              | 0.01μF, 50V  | CN17      | QGA2001C1-05    | CONNECTOR                |
| C902  |           | QETN1VM-227  | E CAPACITOR            | 220μF, 35V   | CN18      | QGA2001C1-07    | CONNECTOR                |
| C903  |           | NEA71HM-335X | E CAPACITOR            | 3.3μF, 50V   | CN19      | QGA2001C1-05    | CONNECTOR                |
| C904  |           | NEA71EM-226X | E CAPACITOR            | 22μF, 25V    | CN31      | QGA2001C1-06    | CONNECTOR                |
| C905  |           | NEA71CM-476X | E CAPACITOR            | 47μF, 16V    | CN32      | QGA2001C1-03    | CONNECTOR                |
| C906  |           | NEA71CM-476X | E CAPACITOR            | 47μF, 16V    | CN33      | QGA2001C1-02    | CONNECTOR                |
| C907  |           | NEA71CM-476X | E CAPACITOR            | 47μF, 16V    | CN123     | QGA2001C1-03    | CONNECTOR                |
| C908  |           | NEA71EM-226X | E CAPACITOR            | 22μF, 25V    | △ CP901   | ICP-S1.0-X      | CIRCUIT PROTECTOR        |
| C909  |           | NEA71EM-226X | E CAPACITOR            | 22μF, 25V    | △ CP902   | ICP-S1.0-X      | CIRCUIT PROTECTOR        |
| C910  |           | NEA71HM-335X | E CAPACITOR            | 3.3μF, 50V   | △ CP903   | ICP-S1.8-X      | CIRCUIT PROTECTOR        |
| C911  |           | NCB31HK-103X | CAPACITOR              | 0.01μF, 50V  | △ CP904   | ICP-S1.0-X      | CIRCUIT PROTECTOR        |
| C912  |           | QETN1CM-477  | E CAPACITOR            | 470μF, 16V   | △ CP905   | ICP-S1.0-X      | CIRCUIT PROTECTOR        |
| C913  |           | QETN1CM-477  | E CAPACITOR            | 470μF, 16V   | △ CP907   | ICP-S1.0-X      | CIRCUIT PROTECTOR        |
| C914  |           | NCB31HK-103X | CAPACITOR              | 0.01μF, 50V  | △ CP908   | ICP-S1.0-X      | CIRCUIT PROTECTOR        |
| C915  |           | QETN1CM-108  | E CAPACITOR            | 1000μF, 16V  | △ CP909   | ICP-S1.0-X      | CIRCUIT PROTECTOR        |
| C916  |           | NCB31HK-103X | CAPACITOR              | 0.01μF, 50V  | △ CP910   | ICP-S1.0-X      | CIRCUIT PROTECTOR        |
| C917  |           | NCB31HK-103X | CAPACITOR              | 0.01μF, 50V  | △ CP911   | ICP-S1.8-X      | CIRCUIT PROTECTOR        |
| C918  |           | NEA71EM-226X | E CAPACITOR            | 22μF, 25V    | △ CP912   | ICP-S1.0-X      | CIRCUIT PROTECTOR        |
| C919  |           | QETN1CM-477  | E CAPACITOR            | 470μF, 16V   | △ F1      | QMF51E2-2R0J1   | FUSE T2.0A               |
| C920  |           | QETN1CM-477  | E CAPACITOR            | 470μF, 16V   | △ F906    | NMFZ005-R375XJ1 | FUSE T0.37A              |
| C921  |           | NCB31HK-103X | CAPACITOR              | 0.01μF, 50V  | △ BTA1    | QAB0005-001     | LI BATTERY               |
| C922  |           | NCB31HK-103X | CAPACITOR              | 0.01μF, 50V  | OT1       | PU59915-105     | #500SPACER0.01           |
| C923  |           | NEA71EM-226X | E CAPACITOR            | 22μF, 25V    |           |                 |                          |
| C924  |           | QETN1CM-477  | E CAPACITOR            | 470μF, 16V   |           |                 |                          |
| C925  |           | QETN1CM-477  | E CAPACITOR            | 470μF, 16V   |           |                 |                          |
| C926  |           | NCB31HK-103X | CAPACITOR              | 0.01μF, 50V  |           |                 |                          |
| C927  |           | NCB31HK-103X | CAPACITOR              | 0.01μF, 50V  |           |                 |                          |
| C928  |           | NEA71EM-226X | E CAPACITOR            | 22μF, 25V    |           |                 |                          |
| C929  |           | QETN1CM-477  | E CAPACITOR            | 470μF, 16V   |           |                 |                          |
| C930  |           | NEA71CM-476X | E CAPACITOR            | 47μF, 16V    | PW1       | YB10205A1-01    | FCP BOARD ASSY           |
| C931  |           | NCB31HK-103X | CAPACITOR              | 0.01μF, 50V  | IC801     | NJU7102AM       | IC                       |
| C932  |           | NCB31HK-103X | CAPACITOR              | 0.01μF, 50V  | IC802     | NJU7102AM       | IC                       |
| C934  |           | QETN1CM-477  | E CAPACITOR            | 470μF, 16V   | IC803     | NJU7102AM       | IC                       |
| C935  |           | NEA71CM-476X | E CAPACITOR            | 47μF, 16V    | IC804     | NJU7102AM       | IC                       |
| C936  |           | NCB31HK-103X | CAPACITOR              | 0.01μF, 50V  | IC805     | TC74HC4053AF    | IC                       |
| C937  |           | QETN1CM-108  | E CAPACITOR            | 1000μF, 16V  | IC806     | TC74HCT541AF    | IC(DIGITAL)              |
| LC901 |           | NQR0194-001X | NOISE FILTER           |              | IC807     | NJU7102AM       | IC                       |
| LC902 |           | NQR0194-001X | NOISE FILTER           |              | IC808     | TC7W74F         | IC                       |
| LC903 |           | NQR0194-001X | NOISE FILTER           |              | IC809     | TC74HCT541AF    | IC(DIGITAL)              |
| LC904 |           | NQR0194-001X | NOISE FILTER           |              | Q801      | DTC114EK        | TRANSISTOR               |
| LC905 |           | NQR0194-001X | NOISE FILTER           |              | D801      | DAP202K         | DIODE                    |
| LC906 |           | NQR0194-001X | NOISE FILTER           |              | D802      | SLR-342MG3F     | LE DIODE                 |
| LC907 |           | NQR0194-001X | NOISE FILTER           |              | R801      | NRSA02J-103X    | MG RESISTOR 10kΩ, 1/10W  |
| LC908 |           | NQR0194-001X | NOISE FILTER           |              | R802      | NRSA02J-103X    | MG RESISTOR 10kΩ, 1/10W  |
| LC909 |           | NQR0194-001X | NOISE FILTER           |              | R803      | NRSA02J-153X    | MG RESISTOR 15kΩ, 1/10W  |
| LC910 |           | NQR0194-001X | NOISE FILTER           |              | R804      | NRSA02J-472X    | MG RESISTOR 4.7kΩ, 1/10W |
| LC911 |           | NQR0194-001X | NOISE FILTER           |              | R805      | NRSA02J-472X    | MG RESISTOR 4.7kΩ, 1/10W |
| LC912 |           | NQR0194-001X | NOISE FILTER           |              | R806      | NRSA02J-153X    | MG RESISTOR 15kΩ, 1/10W  |
| LC913 |           | NQR0194-001X | NOISE FILTER           |              | R807      | NRSA02J-103X    | MG RESISTOR 10kΩ, 1/10W  |
| LC915 |           | NQR0194-001X | NOISE FILTER           |              | R808      | NRSA02J-103X    | MG RESISTOR 10kΩ, 1/10W  |
| LC916 |           | NQR0194-001X | NOISE FILTER           |              | R809      | NRSA02J-103X    | MG RESISTOR 10kΩ, 1/10W  |
| DD901 |           | QAL0127-001  | DC-DC CONVERTER        |              | R810      | NRSA02J-472X    | MG RESISTOR 4.7kΩ, 1/10W |

\*\*\*\*\*

**FCP BOARD ASSEMBLY <03>**

|       |              |                          |
|-------|--------------|--------------------------|
| PW1   | YB10205A1-01 | FCP BOARD ASSY           |
| IC801 | NJU7102AM    | IC                       |
| IC802 | NJU7102AM    | IC                       |
| IC803 | NJU7102AM    | IC                       |
| IC804 | NJU7102AM    | IC                       |
| IC805 | TC74HC4053AF | IC                       |
| IC806 | TC74HCT541AF | IC(DIGITAL)              |
| IC807 | NJU7102AM    | IC                       |
| IC808 | TC7W74F      | IC                       |
| IC809 | TC74HCT541AF | IC(DIGITAL)              |
| Q801  | DTC114EK     | TRANSISTOR               |
| D801  | DAP202K      | DIODE                    |
| D802  | SLR-342MG3F  | LE DIODE                 |
| R801  | NRSA02J-103X | MG RESISTOR 10kΩ, 1/10W  |
| R802  | NRSA02J-103X | MG RESISTOR 10kΩ, 1/10W  |
| R803  | NRSA02J-153X | MG RESISTOR 15kΩ, 1/10W  |
| R804  | NRSA02J-472X | MG RESISTOR 4.7kΩ, 1/10W |
| R805  | NRSA02J-472X | MG RESISTOR 4.7kΩ, 1/10W |
| R806  | NRSA02J-153X | MG RESISTOR 15kΩ, 1/10W  |
| R807  | NRSA02J-103X | MG RESISTOR 10kΩ, 1/10W  |
| R808  | NRSA02J-103X | MG RESISTOR 10kΩ, 1/10W  |
| R809  | NRSA02J-103X | MG RESISTOR 10kΩ, 1/10W  |
| R810  | NRSA02J-472X | MG RESISTOR 4.7kΩ, 1/10W |

| #     | △ REF No. | PART No.     | PART NAME, DESCRIPTION  | #     | △ REF No. | PART No.      | PART NAME, DESCRIPTION              |
|-------|-----------|--------------|-------------------------|-------|-----------|---------------|-------------------------------------|
| R811  |           | NRSA02J-153X | MG RESISTOR 15kΩ,1/10W  | C801  |           | NCB21HK-103X  | CAPACITOR 0.01μF,50V                |
| R812  |           | NRSA02J-153X | MG RESISTOR 15kΩ,1/10W  | C802  |           | NCB21HK-103X  | CAPACITOR 0.01μF,50V                |
| R813  |           | NRSA02J-472X | MG RESISTOR 4.7kΩ,1/10W | C803  |           | NCB21HK-103X  | CAPACITOR 0.01μF,50V                |
| R814  |           | NRSA02J-103X | MG RESISTOR 10kΩ,1/10W  | C804  |           | NCB21HK-103X  | CAPACITOR 0.01μF,50V                |
| R815  |           | NRSA02J-103X | MG RESISTOR 10kΩ,1/10W  | C805  |           | NCB21HK-103X  | CAPACITOR 0.01μF,50V                |
| R816  |           | NRSA02J-103X | MG RESISTOR 10kΩ,1/10W  | C806  |           | NCB21HK-103X  | CAPACITOR 0.01μF,50V                |
| R817  |           | NRSA02J-103X | MG RESISTOR 10kΩ,1/10W  | C807  |           | NCB21HK-103X  | CAPACITOR 0.01μF,50V                |
| R818  |           | NRSA02J-472X | MG RESISTOR 4.7kΩ,1/10W | C808  |           | NCB21HK-103X  | CAPACITOR 0.01μF,50V                |
| R819  |           | NRSA02J-153X | MG RESISTOR 15kΩ,1/10W  | C809  |           | NCB21HK-103X  | CAPACITOR 0.01μF,50V                |
| R820  |           | NRSA02J-153X | MG RESISTOR 15kΩ,1/10W  | C810  |           | NCB21HK-103X  | CAPACITOR 0.01μF,50V                |
| R821  |           | NRSA02J-472X | MG RESISTOR 4.7kΩ,1/10W | C811  |           | NCB21HK-103X  | CAPACITOR 0.01μF,50V                |
| R822  |           | NRSA02J-103X | MG RESISTOR 10kΩ,1/10W  | C812  |           | QETL0JM-337-E | E CAPACITOR 330μF,6.3V              |
| R823  |           | NRSA02J-103X | MG RESISTOR 10kΩ,1/10W  | C813  |           | NCB21HK-103X  | CAPACITOR 0.01μF,50V                |
| R824  |           | NRSA02J-103X | MG RESISTOR 10kΩ,1/10W  | C814  |           | NCB21HK-103X  | CAPACITOR 0.01μF,50V                |
| R825  |           | NRSA02J-103X | MG RESISTOR 10kΩ,1/10W  | C815  |           | NCB21HK-103X  | CAPACITOR 0.01μF,50V                |
| R826  |           | NRSA02J-472X | MG RESISTOR 4.7kΩ,1/10W | C816  |           | NCB21HK-103X  | CAPACITOR 0.01μF,50V                |
| R827  |           | NRSA02J-153X | MG RESISTOR 15kΩ,1/10W  | C817  |           | NCB21HK-103X  | CAPACITOR 0.01μF,50V                |
| R828  |           | NRSA02J-153X | MG RESISTOR 15kΩ,1/10W  | C818  |           | NCB21HK-103X  | CAPACITOR 0.01μF,50V                |
| R829  |           | NRSA02J-472X | MG RESISTOR 4.7kΩ,1/10W | C819  |           | NCB21HK-103X  | CAPACITOR 0.01μF,50V                |
| R830  |           | NRSA02J-103X | MG RESISTOR 10kΩ,1/10W  | C820  |           | NCB21HK-103X  | CAPACITOR 0.01μF,50V                |
| R831  |           | NRSA02J-103X | MG RESISTOR 10kΩ,1/10W  | C821  |           | NCB21HK-103X  | CAPACITOR 0.01μF,50V                |
| R832  |           | NRSA02J-103X | MG RESISTOR 10kΩ,1/10W  | C822  |           | NCB21HK-103X  | CAPACITOR 0.01μF,50V                |
| R833  |           | NRSA02J-103X | MG RESISTOR 10kΩ,1/10W  | C823  |           | NCB21HK-103X  | CAPACITOR 0.01μF,50V                |
| R834  |           | NRSA02J-103X | MG RESISTOR 10kΩ,1/10W  | C824  |           | NCB21HK-103X  | CAPACITOR 0.01μF,50V                |
| R835  |           | NRSA02J-153X | MG RESISTOR 15kΩ,1/10W  | C825  |           | NCB21HK-103X  | CAPACITOR 0.01μF,50V                |
| R836  |           | NRSA02J-472X | MG RESISTOR 4.7kΩ,1/10W | SW801 |           | QSW0537-001   | TOGGLE SWITCH,GAIN AUTO/MAIN/NOR    |
| R837  |           | NRSA02J-472X | MG RESISTOR 4.7kΩ,1/10W | SW802 |           | QSW0536-001   | TOGGLE SWITCH,ALC/ALC+EEI           |
| R838  |           | NRSA02J-153X | MG RESISTOR 15kΩ,1/10W  | SW803 |           | QSW0537-001   | TOGGLE SWITCH,OVER/NOR/UNDER        |
| R839  |           | NRSA02J-103X | MG RESISTOR 10kΩ,1/10W  | SW804 |           | QSW0535-001   | PUSH SWITCH,UP                      |
| R840  |           | NRSA02J-474X | MG RESISTOR 470kΩ,1/10W | SW805 |           | QSW0535-001   | PUSH SWITCH,DOWN                    |
| R841  |           | NRSA02J-391X | MG RESISTOR 390Ω,1/10W  | SW806 |           | QSW0537-001   | TOGGLE SWITCH,SHUTTER ON/OFF V.SCAN |
| R842  |           | NRSA02J-103X | MG RESISTOR 10kΩ,1/10W  | SW807 |           | QSW0535-001   | PUSH SWITCH,UP                      |
| R843  |           | NRSA02J-103X | MG RESISTOR 10kΩ,1/10W  | SW808 |           | QSW0535-001   | PUSH SWITCH,DOWN                    |
| R844  |           | NRSA02J-103X | MG RESISTOR 10kΩ,1/10W  | SW809 |           | QSW0537-001   | TOGGLE SWITCH,WB AUTO/MAIN/PRESET   |
| R845  |           | NRSA02J-103X | MG RESISTOR 10kΩ,1/10W  | SW810 |           | QSW0536-001   | TOGGLE SWITCH,SET                   |
| R846  |           | NRSA02J-103X | MG RESISTOR 10kΩ,1/10W  | SW811 |           | QSW0671-001   | TOGGLE SWITCH,3200K/5600K           |
| R847  |           | NRSA02J-103X | MG RESISTOR 10kΩ,1/10W  | SW812 |           | QSW0537-001   | TOGGLE SWITCH,CAMERA/BAR/TEST SG    |
| R848  |           | NRSA02J-103X | MG RESISTOR 10kΩ,1/10W  | SW813 |           | QSW0536-001   | TOGGLE SWITCH,POSI/NEGA             |
| R849  |           | NRSA02J-103X | MG RESISTOR 10kΩ,1/10W  | SW814 |           | QSW0536-001   | TOGGLE SWITCH,DATE & TIME ON/OFF    |
| R850  |           | NRSA02J-103X | MG RESISTOR 10kΩ,1/10W  | SW815 |           | QSW0536-001   | TOGGLE SWITCH,MENU ON/OFF           |
| R851  |           | NRSA02J-103X | MG RESISTOR 10kΩ,1/10W  | SW816 |           | QSW0535-001   | PUSH SWITCH,UP                      |
| R852  |           | NRSA02J-103X | MG RESISTOR 10kΩ,1/10W  | SW817 |           | QSW0535-001   | PUSH SWITCH,DOWN                    |
| R853  |           | NRSA02J-103X | MG RESISTOR 10kΩ,1/10W  | SW818 |           | QSW0535-001   | PUSH SWITCH,RIGHT                   |
| R854  |           | NRSA02J-103X | MG RESISTOR 10kΩ,1/10W  | SW819 |           | QSW0535-001   | PUSH SWITCH,LEFT                    |
| R855  |           | NRSA02J-103X | MG RESISTOR 10kΩ,1/10W  | SW820 |           | QSW0535-001   | PUSH SWITCH,FREEZE                  |
| R856  |           | NRSA02J-103X | MG RESISTOR 10kΩ,1/10W  | WR1   |           | QUY153-050Y   | IM BUS WIRE                         |
| R857  |           | NRSA02J-103X | MG RESISTOR 10kΩ,1/10W  | WR2   |           | QWY123        | BUS WIRE                            |
| R858  |           | NRSA02J-103X | MG RESISTOR 10kΩ,1/10W  | CN13  |           | PU60566-120   | CONNECTOR                           |
| R859  |           | NRSA02J-103X | MG RESISTOR 10kΩ,1/10W  | CN14  |           | PU60566-112   | CONNECTOR                           |
| R860  |           | NRSA02J-103X | MG RESISTOR 10kΩ,1/10W  | OT1   |           | PQ40795-4-2   | LED HOLDER                          |
| R861  |           | NRSA02J-103X | MG RESISTOR 10kΩ,1/10W  |       |           |               |                                     |
| R862  |           | NRSA02J-103X | MG RESISTOR 10kΩ,1/10W  |       |           |               |                                     |
| R863  |           | NRSA02J-103X | MG RESISTOR 10kΩ,1/10W  |       |           |               |                                     |
| R864  |           | NRSA02J-103X | MG RESISTOR 10kΩ,1/10W  |       |           |               |                                     |
| R865  |           | NRSA02J-103X | MG RESISTOR 10kΩ,1/10W  |       |           |               |                                     |
| R866  |           | NRSA02J-103X | MG RESISTOR 10kΩ,1/10W  |       |           |               |                                     |
| R867  |           | NRSA02J-103X | MG RESISTOR 10kΩ,1/10W  |       |           |               |                                     |
| VR801 |           | QVQ0044-B53  | V RESISTOR,FINE-R       | PW2   |           | YB10205A2-01  | I/O1 BOARD ASSY                     |
| VR802 |           | QVQ0044-B53  | V RESISTOR,FINE-B       | CN127 |           | QGA2001F1-06  | CONNECTOR                           |
| VR803 |           | QVQ0044-B53  | V RESISTOR,GAIN-R       | CN128 |           | QGA2001F1-06  | CONNECTOR                           |
| VR804 |           | QVQ0044-B53  | V RESISTOR,GAIN-B       |       |           |               |                                     |

\*\*\*\*\*

**I/O1 BOARD ASSEMBLY <04>**

| #                                     | △ REF No. | PART No.      | PART NAME, DESCRIPTION   |
|---------------------------------------|-----------|---------------|--------------------------|
| *****                                 |           |               |                          |
| <b>I/O2 BOARD ASSEMBLY &lt;05&gt;</b> |           |               |                          |
|                                       | PW3       | YB10205A3-01  | I/O2 BOARD ASSY          |
|                                       | CN122     | QGA2001F1-02  | CONNECTOR                |
|                                       | CN129     | QGA2001F1-06  | CONNECTOR                |
| *****                                 |           |               |                          |
| <b>LED BOARD ASSEMBLY &lt;06&gt;</b>  |           |               |                          |
|                                       | PW4       | YB10205A4     | LED BOARD ASSY           |
|                                       | D803      | GL5KG42       | LE DIODE                 |
|                                       | CN133     | QGA2001F1-02  | CONNECTOR                |
|                                       | OT1       | PQ40795-5-2   | LED HOLDER               |
| *****                                 |           |               |                          |
| <b>PA BOARD ASSEMBLY &lt;07&gt;</b>   |           |               |                          |
|                                       | PW2       | YB10206B2-01  | PA BOARD ASSY            |
|                                       | IC201     | CXA1439M      | IC                       |
|                                       | IC202     | CXA1439M      | IC                       |
|                                       | IC203     | CXA1439M      | IC                       |
|                                       | IC204     | CXA1439M      | IC                       |
|                                       | IC205     | AD8042AR      | IC                       |
|                                       | IC206     | AD8042AR      | IC                       |
|                                       | IC207     | TC74VHC08FT   | IC                       |
|                                       | Q201      | XN6537        | PAIR TRANSISTOR          |
|                                       | Q202      | 2SC3932/TS/-X | TRANSISTOR               |
|                                       | Q203      | XN6537        | PAIR TRANSISTOR          |
|                                       | Q204      | 2SC3932/TS/-X | TRANSISTOR               |
|                                       | Q205      | XN6537        | PAIR TRANSISTOR          |
|                                       | Q206      | 2SC3932/TS/-X | TRANSISTOR               |
|                                       | Q207      | XN6537        | PAIR TRANSISTOR          |
|                                       | Q208      | 2SC3932/TS/-X | TRANSISTOR               |
|                                       | D201      | DA204U        | DIODE                    |
|                                       | D202      | DA204U        | DIODE                    |
|                                       | D203      | DA204U        | DIODE                    |
|                                       | D204      | DA204U        | DIODE                    |
|                                       | R201      | NRSA63J-182X  | MG RESISTOR 1.8kΩ, 1/16W |
|                                       | R202      | NRSA63J-221X  | MG RESISTOR 220Ω, 1/16W  |
|                                       | R203      | NRSA63J-221X  | MG RESISTOR 220Ω, 1/16W  |
|                                       | R204      | NRSA63J-271X  | MG RESISTOR 270Ω, 1/16W  |
|                                       | R205      | NRSA63J-331X  | MG RESISTOR 330Ω, 1/16W  |
|                                       | R206      | NRSA63J-272X  | MG RESISTOR 2.7kΩ, 1/16W |
|                                       | R207      | NRSA63J-681X  | MG RESISTOR 680Ω, 1/16W  |
|                                       | R208      | NRSA63J-392X  | MG RESISTOR 3.9kΩ, 1/16W |
|                                       | R209      | NRSA63J-392X  | MG RESISTOR 3.9kΩ, 1/16W |
|                                       | R210      | NRSA63J-392X  | MG RESISTOR 3.9kΩ, 1/16W |
|                                       | R211      | NRSA63J-224X  | MG RESISTOR 220kΩ, 1/16W |
|                                       | R212      | NRSA63J-223X  | MG RESISTOR 22kΩ, 1/16W  |
|                                       | R213      | NRSA63J-101X  | MG RESISTOR 100Ω, 1/16W  |
|                                       | R214      | NRSA63J-822X  | MG RESISTOR 8.2kΩ, 1/16W |
|                                       | R215      | NRSA63J-222X  | MG RESISTOR 2.2kΩ, 1/16W |
|                                       | R216      | NRSA63J-102X  | MG RESISTOR 1kΩ, 1/16W   |

| # | △ REF No. | PART No.     | PART NAME, DESCRIPTION   |
|---|-----------|--------------|--------------------------|
|   | R217      | NRSA63J-102X | MG RESISTOR 1kΩ, 1/16W   |
|   | R218      | NRSA63J-182X | MG RESISTOR 1.8kΩ, 1/16W |
|   | R219      | NRSA63J-221X | MG RESISTOR 220Ω, 1/16W  |
|   | R220      | NRSA63J-221X | MG RESISTOR 220Ω, 1/16W  |
|   | R221      | NRSA63J-271X | MG RESISTOR 270Ω, 1/16W  |
|   | R222      | NRSA63J-271X | MG RESISTOR 270Ω, 1/16W  |
|   | R223      | NRSA63J-272X | MG RESISTOR 2.7kΩ, 1/16W |
|   | R224      | NRSA63J-821X | MG RESISTOR 820Ω, 1/16W  |
|   | R225      | NRSA63J-392X | MG RESISTOR 3.9kΩ, 1/16W |
|   | R226      | NRSA63J-392X | MG RESISTOR 3.9kΩ, 1/16W |
|   | R227      | NRSA63J-392X | MG RESISTOR 3.9kΩ, 1/16W |
|   | R228      | NRSA63J-224X | MG RESISTOR 220kΩ, 1/16W |
|   | R229      | NRSA63J-223X | MG RESISTOR 22kΩ, 1/16W  |
|   | R230      | NRSA63J-101X | MG RESISTOR 100Ω, 1/16W  |
|   | R231      | NRSA63J-822X | MG RESISTOR 8.2kΩ, 1/16W |
|   | R232      | NRSA63J-222X | MG RESISTOR 2.2kΩ, 1/16W |
|   | R233      | NRSA63J-102X | MG RESISTOR 1kΩ, 1/16W   |
|   | R234      | NRSA63J-102X | MG RESISTOR 1kΩ, 1/16W   |
|   | R235      | NRSA63J-182X | MG RESISTOR 1.8kΩ, 1/16W |
|   | R236      | NRSA63J-221X | MG RESISTOR 220Ω, 1/16W  |
|   | R237      | NRSA63J-221X | MG RESISTOR 220Ω, 1/16W  |
|   | R238      | NRSA63J-271X | MG RESISTOR 270Ω, 1/16W  |
|   | R239      | NRSA63J-271X | MG RESISTOR 270Ω, 1/16W  |
|   | R240      | NRSA63J-272X | MG RESISTOR 2.7kΩ, 1/16W |
|   | R241      | NRSA63J-821X | MG RESISTOR 820Ω, 1/16W  |
|   | R242      | NRSA63J-392X | MG RESISTOR 3.9kΩ, 1/16W |
|   | R243      | NRSA63J-392X | MG RESISTOR 3.9kΩ, 1/16W |
|   | R244      | NRSA63J-392X | MG RESISTOR 3.9kΩ, 1/16W |
|   | R245      | NRSA63J-224X | MG RESISTOR 220kΩ, 1/16W |
|   | R246      | NRSA63J-223X | MG RESISTOR 22kΩ, 1/16W  |
|   | R247      | NRSA63J-101X | MG RESISTOR 100Ω, 1/16W  |
|   | R248      | NRSA63J-822X | MG RESISTOR 8.2kΩ, 1/16W |
|   | R249      | NRSA63J-222X | MG RESISTOR 2.2kΩ, 1/16W |
|   | R250      | NRSA63J-102X | MG RESISTOR 1kΩ, 1/16W   |
|   | R251      | NRSA63J-102X | MG RESISTOR 1kΩ, 1/16W   |
|   | R252      | NRSA63J-182X | MG RESISTOR 1.8kΩ, 1/16W |
|   | R253      | NRSA63J-221X | MG RESISTOR 220Ω, 1/16W  |
|   | R254      | NRSA63J-221X | MG RESISTOR 220Ω, 1/16W  |
|   | R255      | NRSA63J-271X | MG RESISTOR 270Ω, 1/16W  |
|   | R256      | NRSA63J-331X | MG RESISTOR 330Ω, 1/16W  |
|   | R257      | NRSA63J-272X | MG RESISTOR 2.7kΩ, 1/16W |
|   | R258      | NRSA63J-102X | MG RESISTOR 1kΩ, 1/16W   |
|   | R259      | NRSA63J-392X | MG RESISTOR 3.9kΩ, 1/16W |
|   | R260      | NRSA63J-392X | MG RESISTOR 3.9kΩ, 1/16W |
|   | R261      | NRSA63J-392X | MG RESISTOR 3.9kΩ, 1/16W |
|   | R262      | NRSA63J-224X | MG RESISTOR 220kΩ, 1/16W |
|   | R263      | NRSA63J-223X | MG RESISTOR 22kΩ, 1/16W  |
|   | R264      | NRSA63J-101X | MG RESISTOR 100Ω, 1/16W  |
|   | R265      | NRSA63J-822X | MG RESISTOR 8.2kΩ, 1/16W |
|   | R266      | NRSA63J-222X | MG RESISTOR 2.2kΩ, 1/16W |
|   | R267      | NRSA63J-102X | MG RESISTOR 1kΩ, 1/16W   |
|   | R268      | NRSA63J-102X | MG RESISTOR 1kΩ, 1/16W   |
|   | R269      | NRSA63J-102X | MG RESISTOR 1kΩ, 1/16W   |
|   | R270      | NRSA63J-750X | MG RESISTOR 75Ω, 1/16W   |
|   | R271      | NRSA63J-750X | MG RESISTOR 75Ω, 1/16W   |
|   | R272      | NRSA63J-750X | MG RESISTOR 75Ω, 1/16W   |
|   | R273      | NRSA63J-750X | MG RESISTOR 75Ω, 1/16W   |
|   | R274      | NRSA63J-220X | MG RESISTOR 22Ω, 1/16W   |
|   | R275      | NRSA63J-681X | MG RESISTOR 680Ω, 1/16W  |
|   | R276      | NRSA63J-681X | MG RESISTOR 680Ω, 1/16W  |
|   | R277      | NRSA63J-681X | MG RESISTOR 680Ω, 1/16W  |

| #     | △ REF No. | PART No.      | PART NAME, DESCRIPTION   |            |
|-------|-----------|---------------|--------------------------|------------|
| R278  |           | NRSA63J-681X  | MG RESISTOR              | 680Ω,1/16W |
| VR202 |           | NVP1415-501X  | TRIM RESISTOR,G1 DL GAIN |            |
| VR203 |           | NVP1415-501X  | TRIM RESISTOR,G2 DL GAIN |            |
| C201  |           | NBE41AM-106X  | T CAPACITOR              | 10μF,10V   |
| C202  |           | NCF31EZ-104X  | CAPACITOR                | 0.1μF,25V  |
| C203  |           | NCB31HK-103X  | CAPACITOR                | 0.01μF,50V |
| C204  |           | NBE41AM-106X  | T CAPACITOR              | 10μF,10V   |
| C205  |           | NCB31HK-103X  | CAPACITOR                | 0.01μF,50V |
| C206  |           | NCB31HK-103X  | CAPACITOR                | 0.01μF,50V |
| C207  |           | NCB31HK-103X  | CAPACITOR                | 0.01μF,50V |
| C208  |           | NCB31HK-103X  | CAPACITOR                | 0.01μF,50V |
| C209  |           | NBE41AM-106X  | T CAPACITOR              | 10μF,10V   |
| C210  |           | NCB31HK-103X  | CAPACITOR                | 0.01μF,50V |
| C211  |           | NBE41AM-106X  | T CAPACITOR              | 10μF,10V   |
| C212  |           | NBE41AM-106X  | T CAPACITOR              | 10μF,10V   |
| C213  |           | NCF31EZ-104X  | CAPACITOR                | 0.1μF,25V  |
| C214  |           | NCB31HK-103X  | CAPACITOR                | 0.01μF,50V |
| C215  |           | NBE41AM-106X  | T CAPACITOR              | 10μF,10V   |
| C216  |           | NCB31HK-103X  | CAPACITOR                | 0.01μF,50V |
| C217  |           | NCB31HK-103X  | CAPACITOR                | 0.01μF,50V |
| C218  |           | NCB31HK-103X  | CAPACITOR                | 0.01μF,50V |
| C219  |           | NBE41AM-106X  | T CAPACITOR              | 10μF,10V   |
| C220  |           | NCF31EZ-104X  | CAPACITOR                | 0.1μF,25V  |
| C221  |           | NCB31HK-103X  | CAPACITOR                | 0.01μF,50V |
| C222  |           | NBE41AM-106X  | T CAPACITOR              | 10μF,10V   |
| C223  |           | NCB31HK-103X  | CAPACITOR                | 0.01μF,50V |
| C224  |           | NCB31HK-103X  | CAPACITOR                | 0.01μF,50V |
| C225  |           | NCB31HK-103X  | CAPACITOR                | 0.01μF,50V |
| C226  |           | NCB31HK-103X  | CAPACITOR                | 0.01μF,50V |
| C227  |           | NBE41AM-106X  | T CAPACITOR              | 10μF,10V   |
| C228  |           | NCB31HK-103X  | CAPACITOR                | 0.01μF,50V |
| C229  |           | NBE41AM-106X  | T CAPACITOR              | 10μF,10V   |
| C230  |           | NBE41AM-106X  | T CAPACITOR              | 10μF,10V   |
| C231  |           | NCF31EZ-104X  | CAPACITOR                | 0.1μF,25V  |
| C232  |           | NCB31HK-103X  | CAPACITOR                | 0.01μF,50V |
| C233  |           | NBE41AM-106X  | T CAPACITOR              | 10μF,10V   |
| C234  |           | NCB31HK-103X  | CAPACITOR                | 0.01μF,50V |
| C235  |           | NCB31HK-103X  | CAPACITOR                | 0.01μF,50V |
| C236  |           | NCB31HK-103X  | CAPACITOR                | 0.01μF,50V |
| C237  |           | NDC31HJ-3R0X  | CAPACITOR                | 3pF,50V    |
| C238  |           | NCB31HK-103X  | CAPACITOR                | 0.01μF,50V |
| C239  |           | NEA70JM-107X  | E CAPACITOR              | 100μF,6.3V |
| C240  |           | NEA70JM-107X  | E CAPACITOR              | 100μF,6.3V |
| C241  |           | QETL0JM-337   | E CAPACITOR              | 330μF,6.3V |
| C242  |           | QETL0JM-337   | E CAPACITOR              | 330μF,6.3V |
| DL201 |           | NQR0196-001   | DELAY LINE               |            |
| DL202 |           | NQR0196-001   | DELAY LINE               |            |
| DL203 |           | NQR0196-001   | DELAY LINE               |            |
| DL204 |           | NQR0196-001   | DELAY LINE               |            |
| LC201 |           | NQR0194-001X  | NOISE FILTER             |            |
| LC202 |           | NQR0194-001X  | NOISE FILTER             |            |
| CN9   |           | QGF0503F1-14X | FFC/FPC CONNECTOR        |            |
| CN101 |           | QGA1201F2-03X | CONNECTOR                |            |
| CN102 |           | QGA1201F2-03X | CONNECTOR                |            |
| CN103 |           | QGA1201F2-03X | CONNECTOR                |            |
| CN104 |           | QGA1201F2-03X | CONNECTOR                |            |

| #     | △ REF No. | PART No. | PART NAME, DESCRIPTION |  |
|-------|-----------|----------|------------------------|--|
| ***** |           |          |                        |  |

### ISB BOAR ASSEMBLY <08>

|       |  |               |                |             |
|-------|--|---------------|----------------|-------------|
| PW4   |  | YB10207A4-01  | ISB BOARD ASSY |             |
| Q401  |  | 2SC3932/TS/-X | TRANSISTOR     |             |
| R401  |  | NRSA63J-104X  | MG RESISTOR    | 100kΩ,1/16W |
| R402  |  | NRSA63J-393X  | MG RESISTOR    | 39kΩ,1/16W  |
| R403  |  | NRSA63J-821X  | MG RESISTOR    | 820Ω,1/16W  |
| R404  |  | NRSA63J-100X  | MG RESISTOR    | 10Ω,1/16W   |
| R405  |  | NRSA63J-105X  | MG RESISTOR    | 1MΩ,1/16W   |
| R406  |  | NRSA63J-470X  | MG RESISTOR    | 47Ω,1/16W   |
| R407  |  | NRSA63J-101X  | MG RESISTOR    | 100Ω,1/16W  |
| R408  |  | NRSA63J-103X  | MG RESISTOR    | 10kΩ,1/16W  |
| C401  |  | NBP21EM-105X  | T CAPACITOR    | 1μF,25V     |
| C402  |  | NBE40JM-226X  | T CAPACITOR    | 22μF,6.3V   |
| C403  |  | NCB31HK-103X  | CAPACITOR      | 0.01μF,50V  |
| C404  |  | NBP41CM-106X  | T CAPACITOR    | 10μF,16V    |
| C405  |  | NBP41DM-475X  | T CAPACITOR    | 4.7μF,20V   |
| C406  |  | NCB31HK-103X  | CAPACITOR      | 0.01μF,50V  |
| C407  |  | NBE40JM-226X  | T CAPACITOR    | 22μF,6.3V   |
| CN1   |  | YU40096-3     | CONNECTOR      |             |
| CN5   |  | QGF1004F2-12X | FPC CONNECTOR  |             |
| CN401 |  | NNZ0015-001X  | CCD SOCKET     |             |

\*\*\*\*\*

### ISG1 BOARD ASSEMBLY <09>

|       |  |               |                 |             |
|-------|--|---------------|-----------------|-------------|
| PW1   |  | YB10207A1-01  | ISG1 BOARD ASSY |             |
| Q501  |  | 2SC3932/TS/-X | TRANSISTOR      |             |
| R501  |  | NRSA63J-104X  | MG RESISTOR     | 100kΩ,1/16W |
| R502  |  | NRSA63J-393X  | MG RESISTOR     | 39kΩ,1/16W  |
| R503  |  | NRSA63J-821X  | MG RESISTOR     | 820Ω,1/16W  |
| R504  |  | NRSA63J-100X  | MG RESISTOR     | 10Ω,1/16W   |
| R505  |  | NRSA63J-105X  | MG RESISTOR     | 1MΩ,1/16W   |
| R506  |  | NRSA63J-470X  | MG RESISTOR     | 47Ω,1/16W   |
| R507  |  | NRSA63J-101X  | MG RESISTOR     | 100Ω,1/16W  |
| R508  |  | NRSA63J-103X  | MG RESISTOR     | 10kΩ,1/16W  |
| C501  |  | NBP21EM-105X  | T CAPACITOR     | 1μF,25V     |
| C502  |  | NBE40JM-226X  | T CAPACITOR     | 22μF,6.3V   |
| C503  |  | NCB31HK-103X  | CAPACITOR       | 0.01μF,50V  |
| C504  |  | NBP41CM-106X  | T CAPACITOR     | 10μF,16V    |
| C505  |  | NBP41DM-475X  | T CAPACITOR     | 4.7μF,20V   |
| C506  |  | NCB31HK-103X  | CAPACITOR       | 0.01μF,50V  |
| C507  |  | NBE40JM-226X  | T CAPACITOR     | 22μF,6.3V   |
| CN2   |  | YU40096-3     | CONNECTOR       |             |
| CN6   |  | QGF1004F2-12X | FPC CONNECTOR   |             |
| CN501 |  | NNZ0015-001X  | CCD SOCKET      |             |

\*\*\*\*\*

### ISG2 BOARD ASSEMBLY <10>

|      |  |               |                 |  |
|------|--|---------------|-----------------|--|
| PW2  |  | YB10207A2-01  | ISG2 BOARD ASSY |  |
| Q601 |  | 2SC3932/TS/-X | TRANSISTOR      |  |

| #     | △ REF No. | PART No.      | PART NAME, DESCRIPTION   |
|-------|-----------|---------------|--------------------------|
| R601  |           | NRSA63J-104X  | MG RESISTOR 100kΩ, 1/16W |
| R602  |           | NRSA63J-393X  | MG RESISTOR 39kΩ, 1/16W  |
| R603  |           | NRSA63J-821X  | MG RESISTOR 820Ω, 1/16W  |
| R604  |           | NRSA63J-100X  | MG RESISTOR 10Ω, 1/16W   |
| R605  |           | NRSA63J-105X  | MG RESISTOR 1MΩ, 1/16W   |
| R606  |           | NRSA63J-470X  | MG RESISTOR 47Ω, 1/16W   |
| R607  |           | NRSA63J-101X  | MG RESISTOR 100Ω, 1/16W  |
| R608  |           | NRSA63J-103X  | MG RESISTOR 10kΩ, 1/16W  |
| C601  |           | NBP21EM-105X  | T CAPACITOR 1μF, 25V     |
| C602  |           | NBE40JM-226X  | T CAPACITOR 22μF, 6.3V   |
| C603  |           | NCB31HK-103X  | CAPACITOR 0.01μF, 50V    |
| C604  |           | NBP41CM-106X  | T CAPACITOR 10μF, 16V    |
| C605  |           | NBP41DM-475X  | T CAPACITOR 4.7μF, 20V   |
| C606  |           | NCB31HK-103X  | CAPACITOR 0.01μF, 50V    |
| C607  |           | NBE40JM-226X  | T CAPACITOR 22μF, 6.3V   |
| CN3   |           | YU40096-3     | CONNECTOR                |
| CN7   |           | QGF1004F2-12X | FPC CONNECTOR            |
| CN601 |           | NNZ0015-001X  | CCD SOCKET               |

\*\*\*\*\*

**ISR BOARD ASSEMBLY <11>**

|       |               |                          |
|-------|---------------|--------------------------|
| PW3   | YB10207A3-01  | ISR BOARD ASSY           |
| Q701  | 2SC3932/TS/-X | TRANSISTOR               |
| R701  | NRSA63J-104X  | MG RESISTOR 100kΩ, 1/16W |
| R702  | NRSA63J-393X  | MG RESISTOR 39kΩ, 1/16W  |
| R703  | NRSA63J-821X  | MG RESISTOR 820Ω, 1/16W  |
| R704  | NRSA63J-100X  | MG RESISTOR 10Ω, 1/16W   |
| R705  | NRSA63J-105X  | MG RESISTOR 1MΩ, 1/16W   |
| R706  | NRSA63J-470X  | MG RESISTOR 47Ω, 1/16W   |
| R707  | NRSA63J-101X  | MG RESISTOR 100Ω, 1/16W  |
| R708  | NRSA63J-103X  | MG RESISTOR 10kΩ, 1/16W  |
| C701  | NBP21EM-105X  | T CAPACITOR 1μF, 25V     |
| C702  | NBE40JM-226X  | T CAPACITOR 22μF, 6.3V   |
| C703  | NCB31HK-103X  | CAPACITOR 0.01μF, 50V    |
| C704  | NBP41CM-106X  | T CAPACITOR 10μF, 16V    |
| C705  | NBP41DM-475X  | T CAPACITOR 4.7μF, 20V   |
| C706  | NCB31HK-103X  | CAPACITOR 0.01μF, 50V    |
| C707  | NBE40JM-226X  | T CAPACITOR 22μF, 6.3V   |
| CN4   | YU40096-3     | CONNECTOR                |
| CN8   | QGF1004F2-12X | FPC CONNECTOR            |
| CN701 | NNZ0015-001X  | CCD SOCKET               |

\*\*\*\*\*

**DR BOARD ASSEMBLY <12>**

|       |              |               |
|-------|--------------|---------------|
| PW1   | YB10206B1-01 | DR BOARD ASSY |
| IC101 | CXD1267AN    | IC            |
| IC102 | CXD1267AN    | IC            |
| IC103 | CXD1267AN    | IC            |
| IC104 | CXD1267AN    | IC            |
| IC105 | TC74AC04FT   | IC(DIGITAL)   |
| IC106 | TC74AC04FT   | IC(DIGITAL)   |
| D101  | DAN202U      | DIODE         |
| D102  | DAP202U      | DIODE         |

| #    | △ REF No. | PART No.     | PART NAME, DESCRIPTION   |
|------|-----------|--------------|--------------------------|
| D103 |           | DAP202U      | DIODE                    |
| D104 |           | DAN202U      | DIODE                    |
| D105 |           | DAP202U      | DIODE                    |
| D106 |           | DAP202U      | DIODE                    |
| D107 |           | DAN202U      | DIODE                    |
| D108 |           | DAP202U      | DIODE                    |
| D109 |           | DAP202U      | DIODE                    |
| D110 |           | DAN202U      | DIODE                    |
| D111 |           | DAP202U      | DIODE                    |
| D112 |           | DAP202U      | DIODE                    |
| D113 |           | DAP202U      | DIODE                    |
| D114 |           | DAP202U      | DIODE                    |
| D115 |           | DAP202U      | DIODE                    |
| D116 |           | DAP202U      | DIODE                    |
| R101 |           | NRSA63J-104X | MG RESISTOR 100kΩ, 1/16W |
| R102 |           | NRSA63J-105X | MG RESISTOR 1MΩ, 1/16W   |
| R103 |           | NRSA63J-104X | MG RESISTOR 100kΩ, 1/16W |
| R104 |           | NRSA63J-105X | MG RESISTOR 1MΩ, 1/16W   |
| R105 |           | NRSA63J-104X | MG RESISTOR 100kΩ, 1/16W |
| R106 |           | NRSA63J-105X | MG RESISTOR 1MΩ, 1/16W   |
| R107 |           | NRSA63J-104X | MG RESISTOR 100kΩ, 1/16W |
| R108 |           | NRSA63J-105X | MG RESISTOR 1MΩ, 1/16W   |
| R109 |           | NRSA63J-104X | MG RESISTOR 100kΩ, 1/16W |
| R110 |           | NRSA63J-104X | MG RESISTOR 100kΩ, 1/16W |
| R111 |           | NRSA63J-104X | MG RESISTOR 100kΩ, 1/16W |
| R112 |           | NRSA63J-104X | MG RESISTOR 100kΩ, 1/16W |
| R113 |           | NRSA63J-103X | MG RESISTOR 10kΩ, 1/16W  |
| R114 |           | NRSA63J-220X | MG RESISTOR 22Ω, 1/16W   |
| R115 |           | NRSA63J-220X | MG RESISTOR 22Ω, 1/16W   |
| R116 |           | NRSA63J-220X | MG RESISTOR 22Ω, 1/16W   |
| R117 |           | NRSA63J-220X | MG RESISTOR 22Ω, 1/16W   |
| R118 |           | NRSA63J-220X | MG RESISTOR 22Ω, 1/16W   |
| R119 |           | NRSA63J-220X | MG RESISTOR 22Ω, 1/16W   |
| R120 |           | NRSA63J-220X | MG RESISTOR 22Ω, 1/16W   |
| R121 |           | NRSA63J-220X | MG RESISTOR 22Ω, 1/16W   |
| R122 |           | NRSA63J-220X | MG RESISTOR 22Ω, 1/16W   |
| R123 |           | NRSA63J-220X | MG RESISTOR 22Ω, 1/16W   |
| R124 |           | NRSA63J-220X | MG RESISTOR 22Ω, 1/16W   |
| R125 |           | NRSA63J-220X | MG RESISTOR 22Ω, 1/16W   |
| C101 |           | NCB31HK-103X | CAPACITOR 0.01μF, 50V    |
| C102 |           | NCB31HK-103X | CAPACITOR 0.01μF, 50V    |
| C103 |           | NCF31EZ-104X | CAPACITOR 0.1μF, 25V     |
| C104 |           | NCF31EZ-104X | CAPACITOR 0.1μF, 25V     |
| C105 |           | NBP41VM-105X | T CAPACITOR 1μF, 35V     |
| C106 |           | NCF31EZ-104X | CAPACITOR 0.1μF, 25V     |
| C107 |           | NCF31EZ-104X | CAPACITOR 0.1μF, 25V     |
| C108 |           | NCB31HK-103X | CAPACITOR 0.01μF, 50V    |
| C109 |           | NCB31HK-103X | CAPACITOR 0.01μF, 50V    |
| C110 |           | NCB31HK-103X | CAPACITOR 0.01μF, 50V    |
| C111 |           | NCF31EZ-104X | CAPACITOR 0.1μF, 25V     |
| C112 |           | NCF31EZ-104X | CAPACITOR 0.1μF, 25V     |
| C113 |           | NBP41VM-105X | T CAPACITOR 1μF, 35V     |
| C114 |           | NCF31EZ-104X | CAPACITOR 0.1μF, 25V     |
| C115 |           | NCF31EZ-104X | CAPACITOR 0.1μF, 25V     |
| C116 |           | NCB31HK-103X | CAPACITOR 0.01μF, 50V    |
| C117 |           | NCB31HK-103X | CAPACITOR 0.01μF, 50V    |
| C118 |           | NCB31HK-103X | CAPACITOR 0.01μF, 50V    |
| C119 |           | NCF31EZ-104X | CAPACITOR 0.1μF, 25V     |
| C120 |           | NCF31EZ-104X | CAPACITOR 0.1μF, 25V     |
| C121 |           | NBP41VM-105X | T CAPACITOR 1μF, 35V     |
| C122 |           | NCF31EZ-104X | CAPACITOR 0.1μF, 25V     |

| #     | △ REF No. | PART No.      | PART NAME, DESCRIPTION | #     | △ REF No. | PART No.     | PART NAME, DESCRIPTION      |
|-------|-----------|---------------|------------------------|-------|-----------|--------------|-----------------------------|
| C123  |           | NCF31EZ-104X  | CAPACITOR 0.1μF,25V    | R305  |           | NRSA63J-472X | MG RESISTOR 4.7kΩ,1/16W     |
| C124  |           | NCB31HK-103X  | CAPACITOR 0.01μF,50V   | R306  |           | NRSA63J-154X | MG RESISTOR 150kΩ,1/16W     |
| C125  |           | NCB31HK-103X  | CAPACITOR 0.01μF,50V   | R307  |           | NRSA63J-472X | MG RESISTOR 4.7kΩ,1/16W     |
| C126  |           | NCB31HK-103X  | CAPACITOR 0.01μF,50V   | R308  |           | NRSA63J-222X | MG RESISTOR 2.2kΩ,1/16W     |
| C127  |           | NCF31EZ-104X  | CAPACITOR 0.1μF,25V    | R309  |           | NRSA63J-152X | MG RESISTOR 1.5kΩ,1/16W     |
| C128  |           | NCF31EZ-104X  | CAPACITOR 0.1μF,25V    | R310  |           | NRSA63J-102X | MG RESISTOR 1kΩ,1/16W       |
| C129  |           | NBP41VM-105X  | T CAPACITOR 1μF,35V    | R311  |           | NRSA63J-681X | MG RESISTOR 680Ω,1/16W      |
| C130  |           | NCF31EZ-104X  | CAPACITOR 0.1μF,25V    | R312  |           | NRSA63J-750X | MG RESISTOR 75Ω,1/16W       |
| C131  |           | NCF31EZ-104X  | CAPACITOR 0.1μF,25V    | R313  |           | NRSA63J-153X | MG RESISTOR 15kΩ,1/16W      |
| C132  |           | NCB31HK-103X  | CAPACITOR 0.01μF,50V   | R314  |           | NRSA63J-393X | MG RESISTOR 39kΩ,1/16W      |
| C133  |           | NCB31HK-103X  | CAPACITOR 0.01μF,50V   | R315  |           | NRSA63J-104X | MG RESISTOR 100kΩ,1/16W     |
| C134  |           | NCB31HK-103X  | CAPACITOR 0.01μF,50V   | R316  |           | NRSA63J-472X | MG RESISTOR 4.7kΩ,1/16W     |
| C135  |           | NBE70JM-107X  | T CAPACITOR 100μF,6.3V | R317  |           | NRSA63J-393X | MG RESISTOR 39kΩ,1/16W      |
| C136  |           | NBP41VM-105X  | T CAPACITOR 1μF,35V    | R318  |           | NRSA63J-153X | MG RESISTOR 15kΩ,1/16W      |
| C137  |           | NCB31HK-103X  | CAPACITOR 0.01μF,50V   | R319  |           | NRSA63J-103X | MG RESISTOR 10kΩ,1/16W      |
| C138  |           | NBP41VM-105X  | T CAPACITOR 1μF,35V    | R320  |           | NRSA63J-104X | MG RESISTOR 100kΩ,1/16W     |
| C139  |           | NCB31HK-103X  | CAPACITOR 0.01μF,50V   | R321  |           | NRSA63J-472X | MG RESISTOR 4.7kΩ,1/16W     |
| C140  |           | NBP41VM-105X  | T CAPACITOR 1μF,35V    | R322  |           | NRSA63J-273X | MG RESISTOR 27kΩ,1/16W      |
| C141  |           | NCB31HK-103X  | CAPACITOR 0.01μF,50V   | R323  |           | NRSA63J-273X | MG RESISTOR 27kΩ,1/16W      |
| C142  |           | NBP41VM-105X  | T CAPACITOR 1μF,35V    | R324  |           | NRSA63J-273X | MG RESISTOR 27kΩ,1/16W      |
| C143  |           | NCB31HK-103X  | CAPACITOR 0.01μF,50V   | R325  |           | NRSA63J-273X | MG RESISTOR 27kΩ,1/16W      |
| C144  |           | NBP71DM-226X  | T CAPACITOR 22μF,20V   | R326  |           | NRSA63J-103X | MG RESISTOR 10kΩ,1/16W      |
| C145  |           | NBP71CM-476X  | T CAPACITOR 47μF,16V   | R327  |           | NRSA63J-101X | MG RESISTOR 100Ω,1/16W      |
| LC101 |           | NQR0194-001X  | NOISE FILTER           | R328  |           | NRSA63J-101X | MG RESISTOR 100Ω,1/16W      |
| CN10  |           | QGF0503F1-28X | FFC/FPC CONNECTOR      | R329  |           | NRSA63J-101X | MG RESISTOR 100Ω,1/16W      |
| CN105 |           | QGF1004F2-12X | FPC CONNECTOR          | R330  |           | NRSA63J-101X | MG RESISTOR 100Ω,1/16W      |
| CN106 |           | QGF1004F2-12X | FPC CONNECTOR          | VR301 |           | NVP1415-503X | TRIM RESISTOR,B-RESET BIAS  |
| CN107 |           | QGF1004F2-12X | FPC CONNECTOR          | VR302 |           | NVP1415-503X | TRIM RESISTOR,G1-RESET BIAS |
| CN108 |           | QGF1004F2-12X | FPC CONNECTOR          | VR303 |           | NVP1415-503X | TRIM RESISTOR,G2-RESET BIAS |
| CN109 |           | QGF0503F1-14X | FFC/FPC CONNECTOR      | VR304 |           | NVP1415-503X | TRIM RESISTOR,R-RESET BIAS  |
| JK1   |           | QNZ0040-001   | D CONNECTOR            | VR305 |           | NVP1415-503X | TRIM RESISTOR,B-VSUB        |
|       |           |               |                        | VR306 |           | NVP1415-503X | TRIM RESISTOR,G1-VSUB       |
|       |           |               |                        | VR307 |           | NVP1415-503X | TRIM RESISTOR,G2-VSUB       |
|       |           |               |                        | VR308 |           | NVP1415-503X | TRIM RESISTOR,R-VSUB        |

\*\*\*\*\*

**TG BOARD ASSEMBLY <13>**

|       |               |               |             |
|-------|---------------|---------------|-------------|
| PW3   | YB10206B3-01  | TG BOARD ASSY |             |
| IC301 | TC74AC04FT    | IC(DIGITAL)   |             |
| IC302 | TC7SH08FU     | IC(DIGITAL)   |             |
| IC303 | TC74HC4066AFT | IC(DIGITAL)   |             |
| IC304 | NJM2406F      | IC            |             |
| IC305 | TC7SH08FU     | IC(DIGITAL)   |             |
| IC306 | TC7SH08FU     | IC(DIGITAL)   |             |
| IC307 | TC7SH08FU     | IC(DIGITAL)   |             |
| IC308 | TC7SH08FU     | IC(DIGITAL)   |             |
| IC309 | TC7SH32FU     | IC(DIGITAL)   |             |
| IC310 | TC7SH32FU     | IC(DIGITAL)   |             |
| IC311 | AD8011AR      | IC            |             |
| IC312 | NJM2406F      | IC            |             |
| IC313 | NJM2406F      | IC            |             |
| IC314 | CXD1265R      | IC            |             |
| IC315 | TC74AC04FT    | IC(DIGITAL)   |             |
| D301  | DA204U        | DIODE         |             |
| D302  | DA204U        | DIODE         |             |
| D303  | DA204U        | DIODE         |             |
| R301  | NRSA63D-222X  | MG RESISTOR   | 2.2kΩ,1/16W |
| R302  | NRSA63D-222X  | MG RESISTOR   | 2.2kΩ,1/16W |
| R303  | NRSA63J-221X  | MG RESISTOR   | 220Ω,1/16W  |
| R304  | NRSA63J-822X  | MG RESISTOR   | 8.2kΩ,1/16W |

|       |               |                   |            |
|-------|---------------|-------------------|------------|
| C301  | NDC31HJ-120X  | CAPACITOR         | 12pF,50V   |
| C302  | NDC31HJ-120X  | CAPACITOR         | 12pF,50V   |
| C303  | NCB31HK-103X  | CAPACITOR         | 0.01μF,50V |
| C304  | NCB31HK-103X  | CAPACITOR         | 0.01μF,50V |
| C305  | NCB31HK-103X  | CAPACITOR         | 0.01μF,50V |
| C306  | NCB31HK-103X  | CAPACITOR         | 0.01μF,50V |
| C307  | NCB31HK-103X  | CAPACITOR         | 0.01μF,50V |
| C308  | NCB31HK-103X  | CAPACITOR         | 0.01μF,50V |
| C309  | NBE41AM-106X  | T CAPACITOR       | 10μF,10V   |
| C310  | NCB31HK-103X  | CAPACITOR         | 0.01μF,50V |
| C311  | NCB31HK-103X  | CAPACITOR         | 0.01μF,50V |
| C312  | NDC31HJ-120X  | CAPACITOR         | 12pF,50V   |
| C313  | NDC31HJ-120X  | CAPACITOR         | 12pF,50V   |
| C314  | NCB31HK-103X  | CAPACITOR         | 0.01μF,50V |
| C315  | NCB31HK-103X  | CAPACITOR         | 0.01μF,50V |
| C316  | NCB31HK-103X  | CAPACITOR         | 0.01μF,50V |
| C317  | NCB31HK-103X  | CAPACITOR         | 0.01μF,50V |
| C318  | NEA70JM-107X  | E CAPACITOR       | 100μF,6.3V |
| LC301 | NQR0194-001X  | NOISE FILTER      |            |
| X301  | NAX0135-001X  | CRYSTAL RESONATOR |            |
| CN110 | QGF0503F1-28X | FFC/FPC CONNECTOR |            |